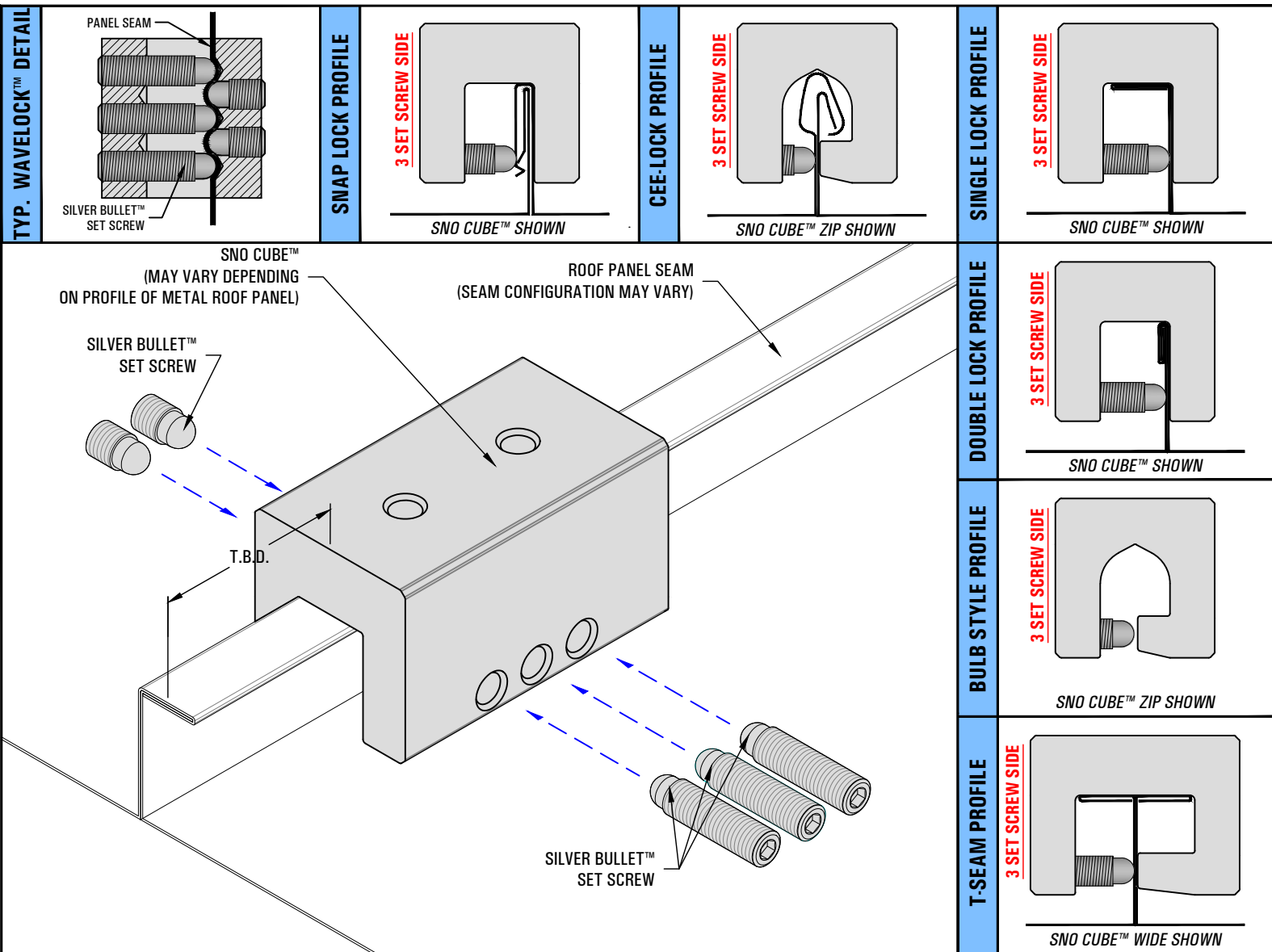


*** GEM CLAMP™ INSTALLATION INSTRUCTIONS ***



GEM CLAMP™ INSTALLATION INSTRUCTIONS

- MEASURE THE DISTANCE FROM THE EAVE TO THE LOCATION OF THE FIRST ROW AND USE A STRING LINE OVER THE ROOF PANEL SEAMS TO ESTABLISH A STRAIGHT GUIDELINE FOR INSTALLATION.
- ALIGN THE GEM CLAMP™ ON THE SEAM EXACTLY AS SHOWN IN THE ORIENTATION ON THE RIGHT SIDE OF THIS PAGE, DEPENDING ON THE APPLICABLE SEAM PROFILE.
- SET THE FIRST (3) SET SCREWS THAT ARE LOCATED ON THE SIDE OF THE GEM CLAMP™ WITH THE (3) THREADED HOLES LOCATED AT THE BOTTOM OF THE CLAMP. THE TORQUE SHOULD BE VERIFIED WITH A CALIBRATED TORQUE WRENCH WITHIN THE RECOMMENDED GUIDELINES SET FORTH IN STEP 4 BELOW.
NOTE: IF THERE ARE (2) DIFFERENT SIZE SET SCREWS, ALWAYS USE THE LONGER SIZE ONES FOR THIS STEP.
- USING A CALIBRATED TORQUE WRENCH, TIGHTEN THE FINAL SET SCREWS WHICH ARE LOCATED ON THE SIDE OF THE GEM CLAMP™ OPPOSITE THE (3) SET SCREWS SET IN THE PREVIOUS STEP. SET SCREWS SHOULD BE TORQUED AND VERIFIED PER THE FOLLOWING RECOMMENDATIONS:
NOTE: CONTACT SNO GEM, INC. FOR THE RECOMMENDED TORQUE REQUIREMENTS OF ANY METAL GAUGE AND/OR MATERIAL NOT LISTED BELOW.
A. 24 Ga. STEEL = 150 IN/LBS · 160 IN/LBS B. 22 Ga. STEEL = 180 IN/LBS · 200 IN/LBS
- VERIFY THAT THE GEM CLAMP™ IS SECURE, STRAIGHT AND LEVEL, THEN REPEAT STEPS 2-5 FOR REMAINING CLAMPS. BE SURE TO FOLLOW THE ARCHITECT'S AND/OR ENGINEER'S REQUIRED SPACING AND/OR LAYOUT, INCLUDING THEIR ADJUSTMENTS FOR FIELD CONDITIONS, IF ANY. (A RECOMMENDED LAYOUT IS FURNISHED BY SNO GEM, INC. ONLY UPON WRITTEN REQUEST)

GEM CLAMP™ INSTALLATION INSTRUCTIONS



Raising the Bar in Snow Retention

4800 METALMASTER WAY · McHENRY, IL 60050

PHONE: 815.477.GEMS
FAX: 815.455.GEMS

WEBSITE: WWW.SNOGEM.COM
E-MAIL: INFO@SNOGEM.COM

DISCLAIMER

THE INFORMATION HEREIN IS CONFIDENTIAL AND PROPRIETARY AND IS NOT TO BE DISCLOSED OR DELIVERED TO THIRD PARTIES WITHOUT THE PRIOR WRITTEN CONSENT OF SNO GEM, INC.

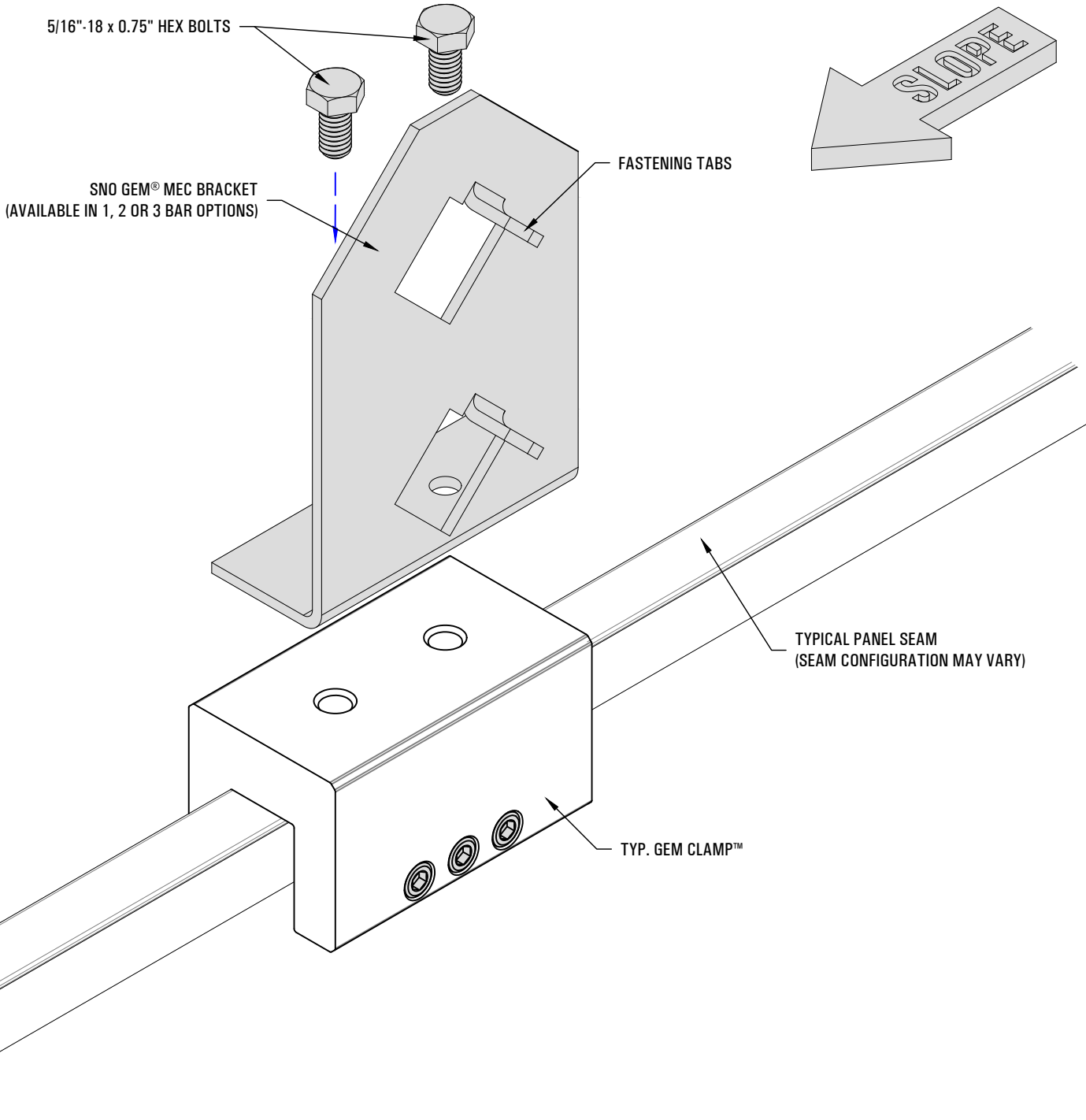
SNO GEM, INC. DOES NOT WARRANT THE INSTALLATION IF ITS PRODUCTS. PRODUCT PERFORMANCE IS DEPENDENT ON THE INSTALLERS STRICT ADHERENCE TO THESE INSTALLATION INSTRUCTIONS.

SNO GEM, INC. IS NOT A LICENSED ARCHITECT OR ENGINEER, THEREFORE WE STRONGLY RECOMMEND THAT AN ARCHITECT AND/OR STRUCTURAL ENGINEER PROPERLY LICENSED IN THE CITY AND STATE WHERE THE PROJECT IS LOCATED, REVIEW THE CONTEMPLATED LAYOUT TO ENSURE THAT THE BUILDING STRUCTURE CAN WITHSTAND THE PROJECTED SNOW LOAD. SNO GEM, INC. ASSUMES NO LIABILITY THEREFORE.

DRAWN BY:	RJH
DATE:	9/30/14
SCALE:	N.T.S.

1

*** GEM CLAMP™ INSTALLATION INSTRUCTIONS ***



SNO GEM® MEC BRACKET INSTALLATION INSTRUCTIONS

1. ONCE THE GEM CLAMPS™ HAVE BEEN INSTALLED AND VERIFIED TO BE PROPERLY TORQUED TO THE MANUFACTURERS RECOMMENDATIONS, PLACE THE SNO GEM® MEC BRACKET ON TOP OF THE GEM CLAMP® BE SURE THAT THE FASTENING TABS ARE UP SLOPE. SECURE THE BRACKET TO CLAMP WITH (2) 5/16\"-18 x 0.75\" HEX BOLTS.
2. REPEAT STEP 1 FOR EACH GEM CLAMP™ INSTALLED FROM THE PREVIOUS STEPS.

GEM CLAMP™ INSTALLATION INSTRUCTIONS



Raising the Bar in Snow Retention

4800 METALMASTER WAY · McHENRY, IL 60050

PHONE: 815.477.GEMS

WEBSITE: WWW.SNOGEM.COM

FAX: 815.455.GEMS

E-MAIL: INFO@SNOGEM.COM

DISCLAIMER

THE INFORMATION HEREIN IS CONFIDENTIAL AND PROPRIETARY AND IS NOT TO BE DISCLOSED OR DELIVERED TO THIRD PARTIES WITHOUT THE PRIOR WRITTEN CONSENT OF SNO GEM, INC.

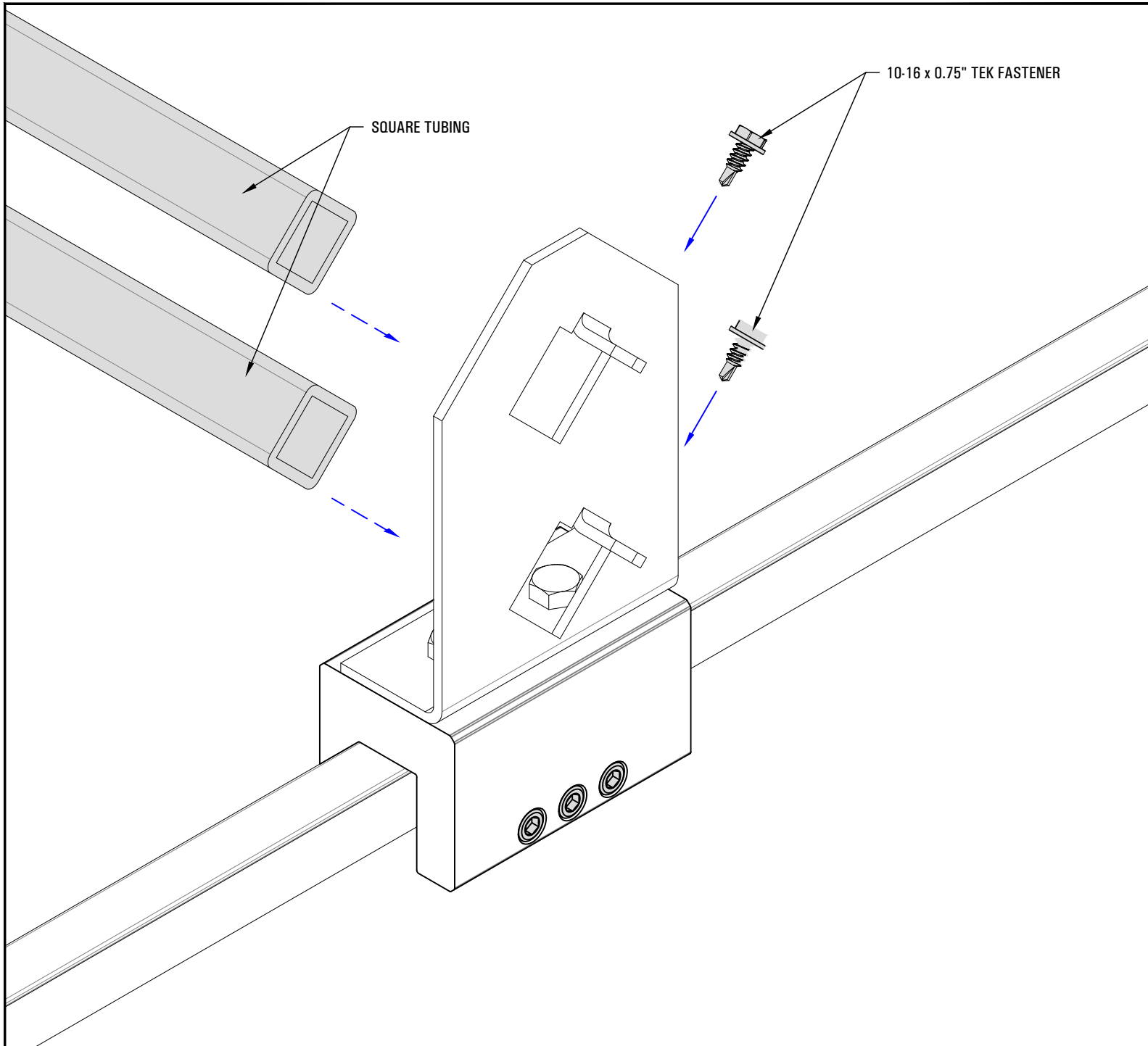
SNO GEM, INC. DOES NOT WARRANT THE INSTALLATION IF ITS PRODUCTS. PRODUCT PERFORMANCE IS DEPENDENT ON THE INSTALLERS STRICT ADHERENCE TO THESE INSTALLATION INSTRUCTIONS.

SNO GEM, INC. IS NOT A LICENSED ARCHITECT OR ENGINEER, THEREFORE WE STRONGLY RECOMMEND THAT AN ARCHITECT AND/OR STRUCTURAL ENGINEER PROPERLY LICENSED IN THE CITY AND STATE WHERE THE PROJECT IS LOCATED, REVIEW THE CONTEMPLATED LAYOUT TO ENSURE THAT THE BUILDING STRUCTURE CAN WITHSTAND THE PROJECTED SNOW LOAD. SNO GEM, INC. ASSUMES NO LIABILITY THEREFORE.

DRAWN BY:	RJH
DATE:	9/30/14
SCALE:	N.T.S.

2

*** GEM CLAMP™ INSTALLATION INSTRUCTIONS ***



SQUARE TUBING INSTALLATION INSTRUCTIONS

1. ONCE THE SNO GEM® MEC BRACKETS HAVE BEEN SECURELY FASTENED TO THE GEM CLAMPS™, SLIDE A SECTION OF THE SQUARE TUBING THROUGH EACH OF THE OPENINGS ON THE BRACKET.
2. SLIDE THE ENTIRE SECTION OF SQUARE TUBING SO THAT THE END IS NO MORE THAN 6" FROM / PAST THE LAST GEM CLAMP™.
3. USING 10-16 x 0.75 TEK FASTENERS, SECURE THE SQUARE TUBING TO THE SNO GEM® MEC BRACKET AT EACH FASTENING TAB.

GEM CLAMP™ INSTALLATION INSTRUCTIONS



Raising the Bar in Snow Retention

4800 METALMASTER WAY · McHENRY, IL 60050

PHONE: 815.477-GEMS
FAX: 815.455.GEMS

WEBSITE: WWW.SNOGEM.COM
E-MAIL: INFO@SNOGEM.COM

DISCLAIMER

THE INFORMATION HEREIN IS CONFIDENTIAL AND PROPRIETARY AND IS NOT TO BE DISCLOSED OR DELIVERED TO THIRD PARTIES WITHOUT THE PRIOR WRITTEN CONSENT OF SNO GEM, INC.

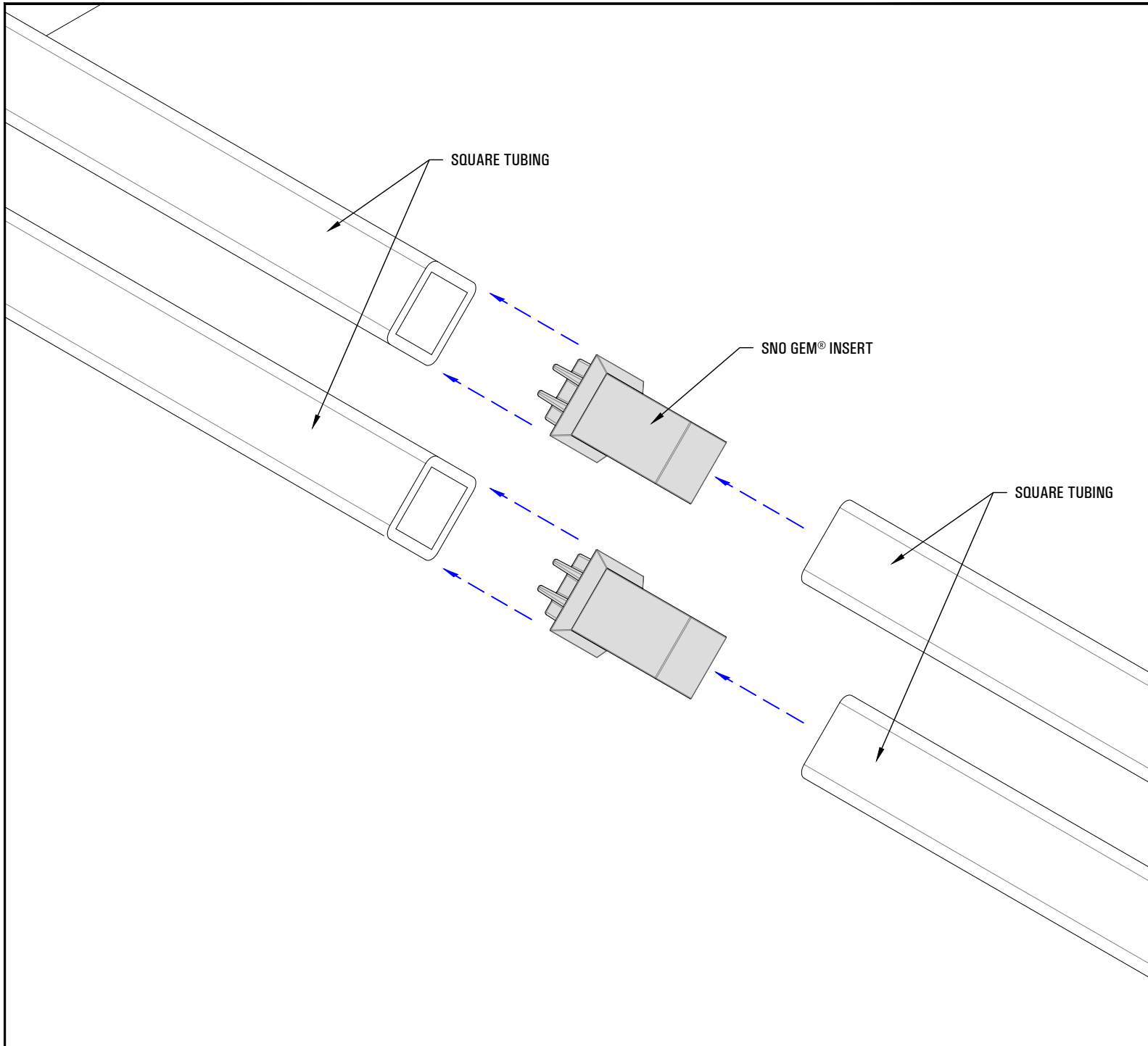
SNO GEM, INC. DOES NOT WARRANT THE INSTALLATION IF ITS PRODUCTS. PRODUCT PERFORMANCE IS DEPENDENT ON THE INSTALLERS STRICT ADHERENCE TO THESE INSTALLATION INSTRUCTIONS.

SNO GEM, INC. IS NOT A LICENSED ARCHITECT OR ENGINEER, THEREFORE WE STRONGLY RECOMMEND THAT AN ARCHITECT AND/OR STRUCTURAL ENGINEER PROPERLY LICENSED IN THE CITY AND STATE WHERE THE PROJECT IS LOCATED, REVIEW THE CONTEMPLATED LAYOUT TO ENSURE THAT THE BUILDING STRUCTURE CAN WITHSTAND THE PROJECTED SNOW LOAD. SNO GEM, INC. ASSUMES NO LIABILITY THEREFORE.

DRAWN BY:	RJH
DATE:	9/30/14
SCALE:	N.T.S.

3

*** GEM CLAMP™ INSTALLATION INSTRUCTIONS ***



SNO GEM® INSERT INSTALLATION INSTRUCTIONS

1. USING THE SNO GEM® INSERT, CONNECT EACH ADJOINING SECTION OF SQUARE TUBING. MAKE SURE TO SLIDE THE SQUARE TUBING ONTO THE INSERT, COMPLETELY.

GEM CLAMP™ INSTALLATION INSTRUCTIONS



Raising the Bar in Snow Retention

4800 METALMASTER WAY · McHENRY, IL 60050

PHONE: 815.477.GEMS
FAX: 815.455.GEMS

WEBSITE: WWW.SNOGEM.COM
E-MAIL: INFO@SNOGEM.COM

DISCLAIMER

THE INFORMATION HEREIN IS CONFIDENTIAL AND PROPRIETARY AND IS NOT TO BE DISCLOSED OR DELIVERED TO THIRD PARTIES WITHOUT THE PRIOR WRITTEN CONSENT OF SNO GEM, INC.

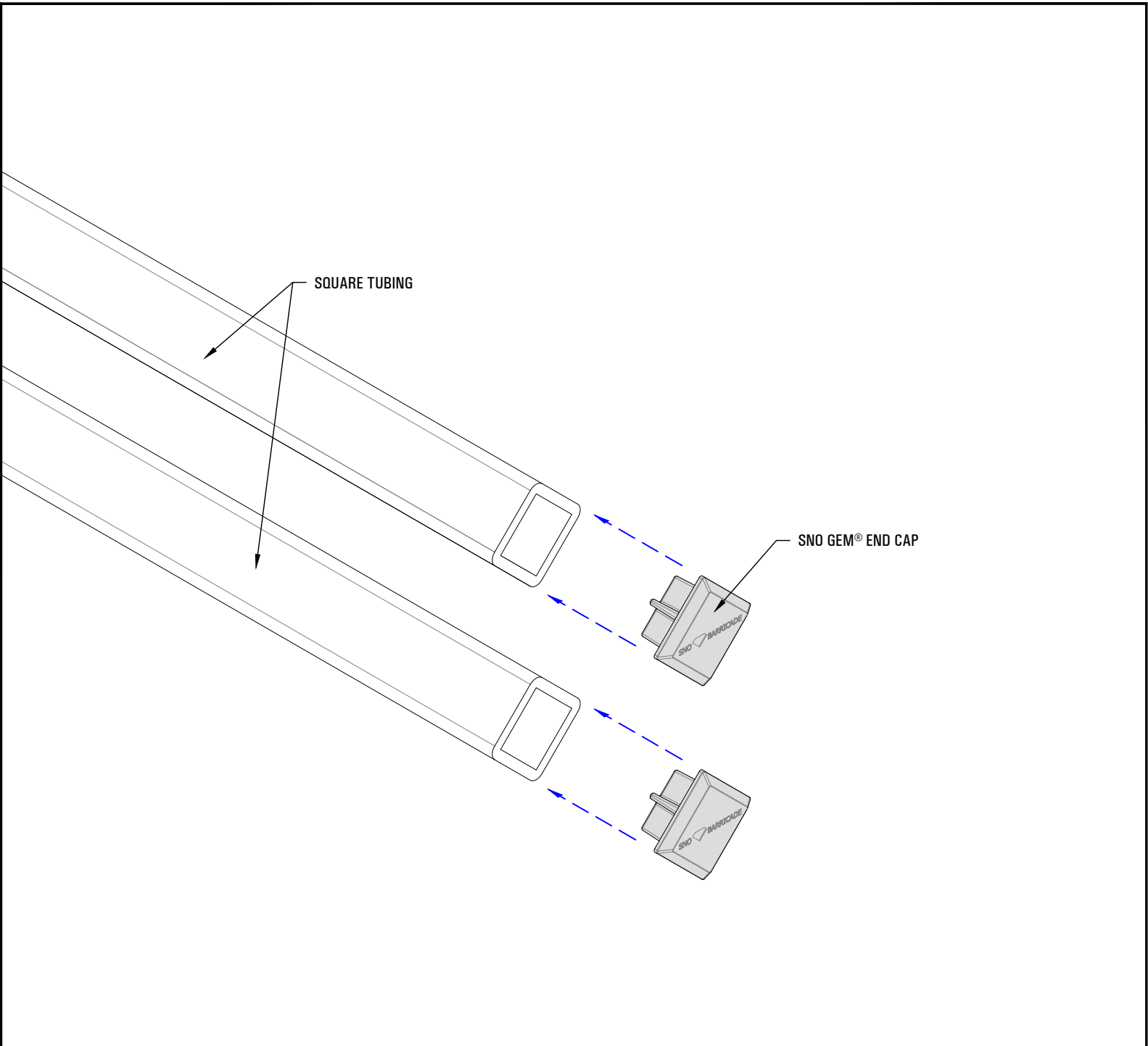
SNO GEM, INC. DOES NOT WARRANT THE INSTALLATION IF ITS PRODUCTS. PRODUCT PERFORMANCE IS DEPENDENT ON THE INSTALLERS STRICT ADHERENCE TO THESE INSTALLATION INSTRUCTIONS.

SNO GEM, INC. IS NOT A LICENSED ARCHITECT OR ENGINEER, THEREFORE WE STRONGLY RECOMMEND THAT AN ARCHITECT AND/OR STRUCTURAL ENGINEER PROPERLY LICENSED IN THE CITY AND STATE WHERE THE PROJECT IS LOCATED, REVIEW THE CONTEMPLATED LAYOUT TO ENSURE THAT THE BUILDING STRUCTURE CAN WITHSTAND THE PROJECTED SNOW LOAD. SNO GEM, INC. ASSUMES NO LIABILITY THEREFORE.

DRAWN BY:	RJH
DATE:	9/30/14
SCALE:	N.T.S.

4

*** GEM CLAMP™ INSTALLATION INSTRUCTIONS ***



SNO GEM® END CAP INSTALLATION INSTRUCTIONS

1. AT THE END OF EACH RUN INSTALL THE SNO GEM® END CAP BY SIMPLY PRESSING IT INTO EACH OPEN END OF THE SQUARE TUBING.

GEM CLAMP™ INSTALLATION INSTRUCTIONS



Raising the Bar in Snow Retention

4800 METALMASTER WAY · McHENRY, IL 60050

PHONE: 815.477-GEMS

WEBSITE: WWW.SNOGEM.COM

FAX: 815.455.GEMS

E-MAIL: INFO@SNOGEM.COM

DISCLAIMER

THE INFORMATION HEREIN IS CONFIDENTIAL AND PROPRIETARY AND IS NOT TO BE DISCLOSED OR DELIVERED TO THIRD PARTIES WITHOUT THE PRIOR WRITTEN CONSENT OF SNO GEM, INC.

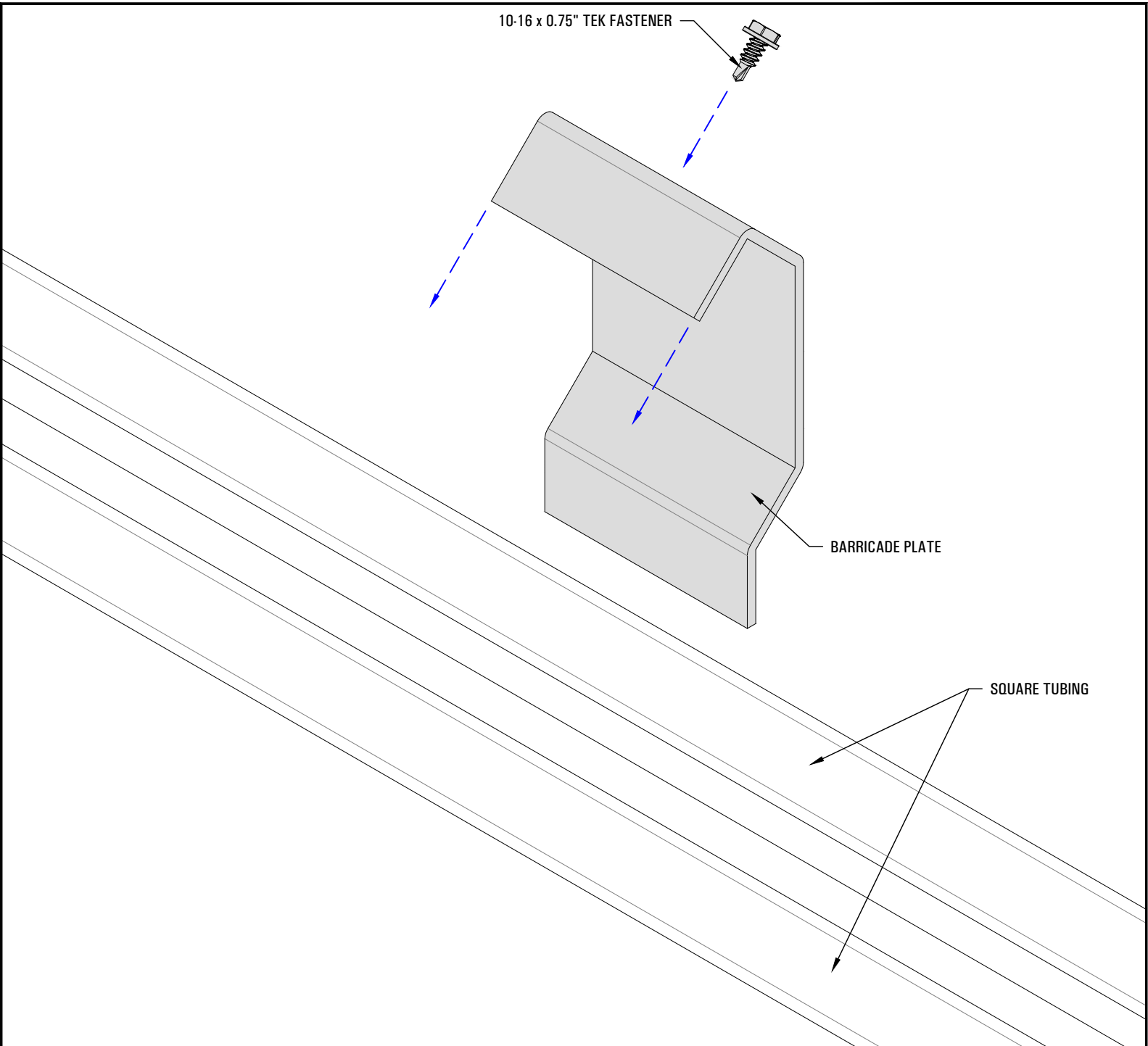
SNO GEM, INC. DOES NOT WARRANT THE INSTALLATION IF ITS PRODUCTS. PRODUCT PERFORMANCE IS DEPENDENT ON THE INSTALLERS STRICT ADHERENCE TO THESE INSTALLATION INSTRUCTIONS.

SNO GEM, INC. IS NOT A LICENSED ARCHITECT OR ENGINEER, THEREFORE WE STRONGLY RECOMMEND THAT AN ARCHITECT AND/OR STRUCTURAL ENGINEER PROPERLY LICENSED IN THE CITY AND STATE WHERE THE PROJECT IS LOCATED, REVIEW THE CONTEMPLATED LAYOUT TO ENSURE THAT THE BUILDING STRUCTURE CAN WITHSTAND THE PROJECTED SNOW LOAD. SNO GEM, INC. ASSUMES NO LIABILITY THEREFORE.

DRAWN BY:	RJH
DATE:	9/30/14
SCALE:	N.T.S.

5

*** GEM CLAMP™ INSTALLATION INSTRUCTIONS ***



BARRICADE PLATE™ INSTALLATION INSTRUCTIONS

1. SET THE BARRICADE PLATE™ SO THAT THE PRE-PUNCHED HOLE IS ON THE UPSIDE SLOPE OF THE TUBE OR SO THAT IT IS NOT VISIBLE FROM THE GROUND AND PER THE ARCHITECT'S AND/OR ENGINEER'S REQUIRED SPACING AND/OR LAYOUT, INCLUDING THEIR ADJUSTMENTS FOR FIELD CONDITIONS, IF ANY. (A RECOMMENDED LAYOUT IS FURNISHED BY SNO GEM, INC. ONLY UPON WRITTEN REQUEST)
2. USE A 10-16 x 0.75 TEK FASTENER TO SECURE THE BARRICADE PLATE™ IN PLACE.

GEM CLAMP™ INSTALLATION INSTRUCTIONS



Raising the Bar in Snow Retention

4800 METALMASTER WAY · McHENRY, IL 60050

PHONE: 815.477.GEMS
FAX: 815.455.GEMS

WEBSITE: WWW.SNOGEM.COM
E-MAIL: INFO@SNOGEM.COM

DISCLAIMER

THE INFORMATION HEREIN IS CONFIDENTIAL AND PROPRIETARY AND IS NOT TO BE DISCLOSED OR DELIVERED TO THIRD PARTIES WITHOUT THE PRIOR WRITTEN CONSENT OF SNO GEM, INC.

SNO GEM, INC. DOES NOT WARRANT THE INSTALLATION IF ITS PRODUCTS. PRODUCT PERFORMANCE IS DEPENDENT ON THE INSTALLERS STRICT ADHERENCE TO THESE INSTALLATION INSTRUCTIONS.

SNO GEM, INC. IS NOT A LICENSED ARCHITECT OR ENGINEER, THEREFORE WE STRONGLY RECOMMEND THAT AN ARCHITECT AND/OR STRUCTURAL ENGINEER PROPERLY LICENSED IN THE CITY AND STATE WHERE THE PROJECT IS LOCATED, REVIEW THE CONTEMPLATED LAYOUT TO ENSURE THAT THE BUILDING STRUCTURE CAN WITHSTAND THE PROJECTED SNOW LOAD. SNO GEM, INC. ASSUMES NO LIABILITY THEREFORE.

DRAWN BY:	RJH
DATE:	9/30/14
SCALE:	N.T.S.

6