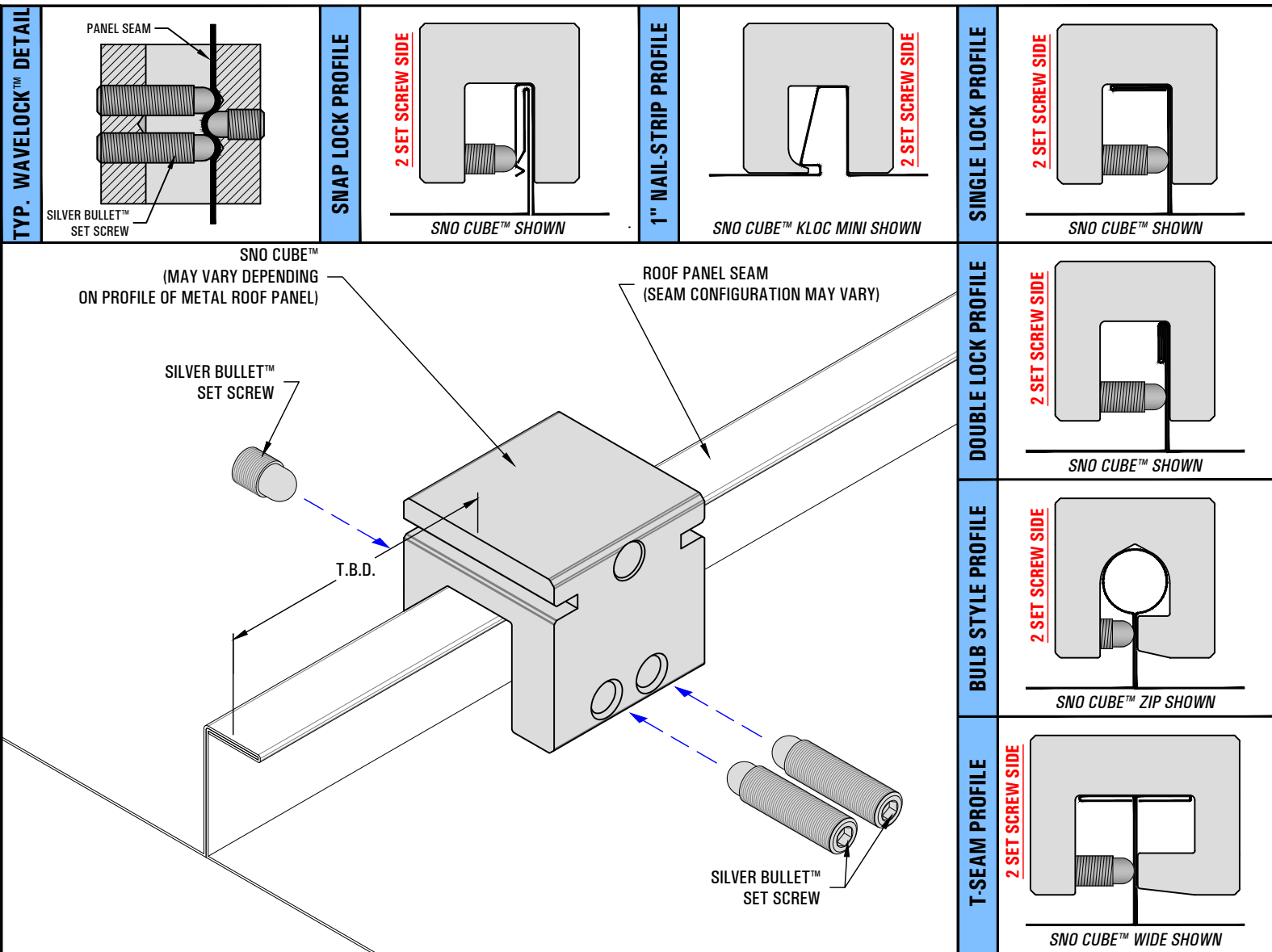


*** iCLAD™ INSTALLATION INSTRUCTIONS ***



SNO CUBE™ INSTALLATION INSTRUCTIONS

- MEASURE THE DISTANCE FROM THE EAVE TO THE LOCATION OF THE FIRST ROW AND USE A STRING LINE OVER THE ROOF PANEL SEAMS TO ESTABLISH A STRAIGHT GUIDELINE FOR INSTALLATION.
- ALIGN THE SNO CUBE™ CLAMP ON THE SEAM EXACTLY AS SHOWN IN THE ORIENTATION ON THE RIGHT SIDE OF THIS PAGE, DEPENDING ON THE APPLICABLE SEAM PROFILE.
- SET THE FIRST (2) SET SCREWS THAT ARE LOCATED ON THE SIDE OF THE CLAMP WITH THE (2) THREADED HOLES LOCATED AT THE BOTTOM OF THE CLAMP. THE TORQUE SHOULD BE VERIFIED WITH A CALIBRATED TORQUE WRENCH WITHIN THE RECOMMENDED GUIDELINES SET FORTH IN STEP 4 BELOW.
NOTE: IF THERE ARE (2) DIFFERENT SIZE SET SCREWS, ALWAYS USE THE LONGER SIZE ONES FOR THIS STEP.
- USING A CALIBRATED TORQUE WRENCH, TIGHTEN THE THIRD AND FINAL SET SCREW WHICH IS LOCATED ON THE SIDE OF THE CLAMP OPPOSITE THE (2) SET SCREWS SET IN THE PREVIOUS STEP. SET SCREWS SHOULD BE TORQUED AND VERIFIED PER THE FOLLOWING RECOMMENDATIONS:
NOTE: CONTACT SNO GEM, INC. FOR THE RECOMMENDED TORQUE REQUIREMENTS OF ANY METAL GAUGE AND/OR MATERIAL NOT LISTED BELOW.
A. 24 Ga. STEEL = 150 IN/LBS · 160 IN/LBS B. 22 Ga. STEEL = 180 IN/LBS · 200 IN/LBS
- VERIFY THAT THE SNO CUBE™ CLAMP IS SECURE, STRAIGHT AND LEVEL, THEN REPEAT STEPS 2-5 FOR REMAINING CLAMPS. BE SURE TO FOLLOW THE ARCHITECT'S AND/OR ENGINEER'S REQUIRED SPACING AND/OR LAYOUT, INCLUDING THEIR ADJUSTMENTS FOR FIELD CONDITIONS, IF ANY. (A RECOMMENDED LAYOUT IS FURNISHED BY SNO GEM, INC. ONLY UPON WRITTEN REQUEST)

iCLAD™ INSTALLATION INSTRUCTIONS



Raising the Bar in Snow Retention

4800 METALMASTER WAY · McHENRY, IL 60050

PHONE: 815.477.GEMS

WEBSITE: WWW.SNOGEM.COM

FAX: 815.455.GEMS

E-MAIL: INFO@SNOGEM.COM

DISCLAIMER

THE INFORMATION HEREIN IS CONFIDENTIAL AND PROPRIETARY AND IS NOT TO BE DISCLOSED OR DELIVERED TO THIRD PARTIES WITHOUT THE PRIOR WRITTEN CONSENT OF SNO GEM, INC.

SNO GEM, INC. DOES NOT WARRANT THE INSTALLATION IF ITS PRODUCTS. PRODUCT PERFORMANCE IS DEPENDENT ON THE INSTALLERS STRICT ADHERENCE TO THESE INSTALLATION INSTRUCTIONS.

SNO GEM, INC. IS NOT A LICENSED ARCHITECT OR ENGINEER, THEREFORE WE STRONGLY RECOMMEND THAT AN ARCHITECT AND/OR STRUCTURAL ENGINEER PROPERLY LICENSED IN THE CITY AND STATE WHERE THE PROJECT IS LOCATED, REVIEW THE CONTEMPLATED LAYOUT TO ENSURE THAT THE BUILDING STRUCTURE CAN WITHSTAND THE PROJECTED SNOW LOAD. SNO GEM, INC. ASSUMES NO LIABILITY THEREFORE.

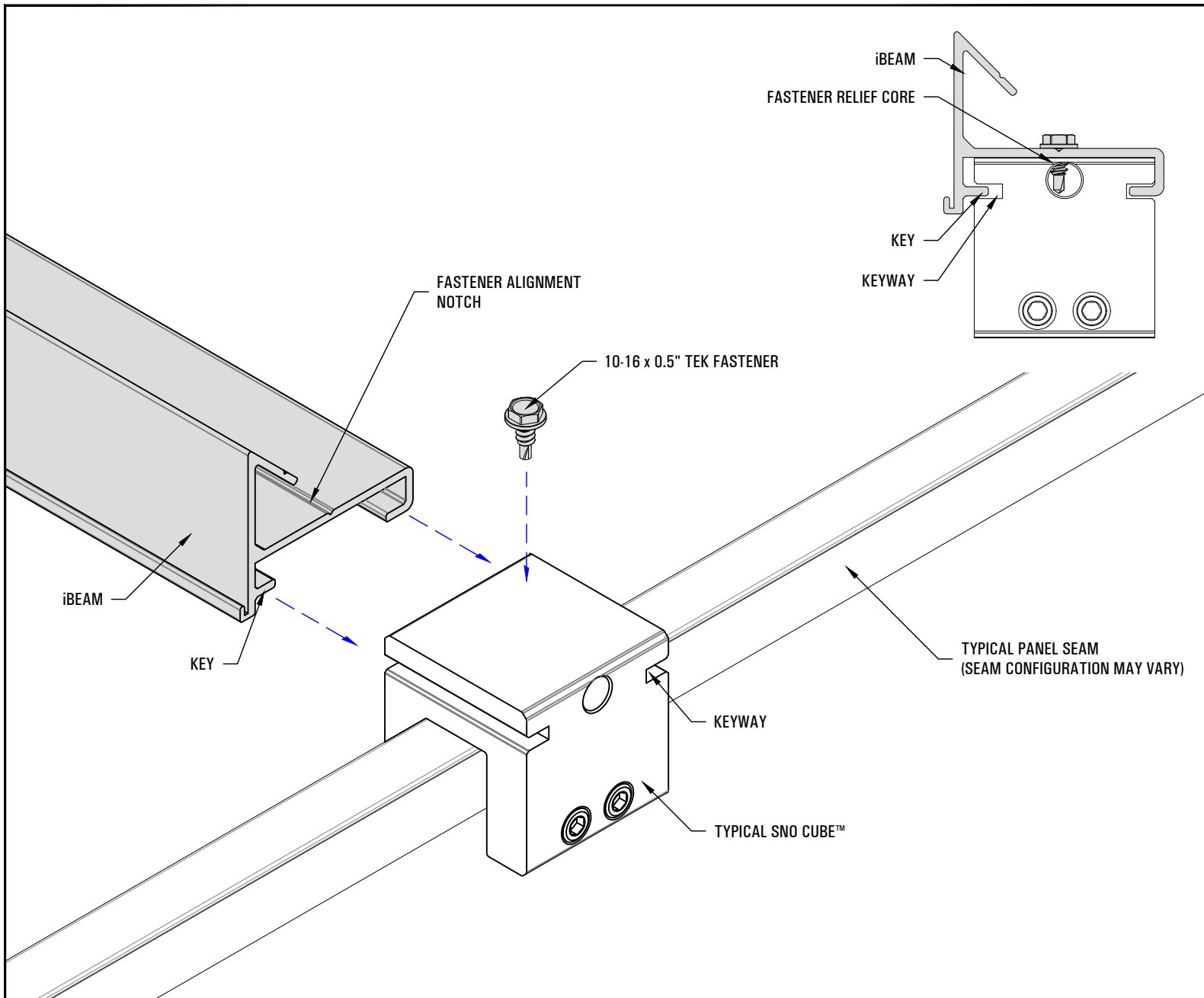
DRAWN BY: RJH

DATE: 11/12/16

SCALE: N.T.S.

1

*** iCLAD™ INSTALLATION INSTRUCTIONS ***



iBEAM™ INSTALLATION INSTRUCTIONS

1. ONCE THE SNO CUBE™ CLAMPS HAVE BEEN INSTALLED AND VERIFIED TO BE PROPERLY TORQUED TO THE MANUFACTURER'S RECOMMENDATIONS, SLIDE A SECTION OF THE iBEAM™ ONTO THE CLAMPS BY ALIGNING THE KEYS ON THE iBEAM TO THE KEYWAYS ON THE SNO CUBE™.
2. SLIDE THE ENTIRE iBEAM™ SECTION SO THAT THE END IS NO MORE THAN 6" FROM / PAST THE LAST SNO CUBE CLAMP™.
3. ONCE A SECTION OF iBEAM™ HAS BEEN COMPLETELY SLID ONTO THE SNO CUBE™ CLAMPS, ALIGN THE 10-16 x 0.5" TEK FASTENER WITH THE FASTENER ALIGNMENT NOTCH ON THE iBEAM™ AND THE PANEL SEAM, PULL THE SECTION OF iBEAM™ DOWN SLOPE, THEN FASTEN THROUGH THE iBEAM™ AND INTO THE SNO CUBE™ CLAMP.
4. REPEAT STEP 3 FOR EACH SNO CUBE™ WITHIN THE FIRST SECTION OF THE iBEAM™.
5. REPEAT STEPS 1-4 FOR THE REMAINING SECTIONS OF iBEAM'S™ LEAVING A 0.25" OF GAP IN BETWEEN EACH iBEAM™ ALLOW FOR THERMAL EXPANSION.

iCLAD™ INSTALLATION INSTRUCTIONS



Raising the Bar in Snow Retention

4800 METALMASTER WAY · McHENRY, IL 60050

PHONE: 815.477-GEMS

WEBSITE: WWW.SNOGEM.COM

FAX: 815.455.GEMS

E-MAIL: INFO@SNOGEM.COM

DISCLAIMER

THE INFORMATION HEREIN IS CONFIDENTIAL AND PROPRIETARY AND IS NOT TO BE DISCLOSED OR DELIVERED TO THIRD PARTIES WITHOUT THE PRIOR WRITTEN CONSENT OF SNO GEM, INC.

SNO GEM, INC. DOES NOT WARRANT THE INSTALLATION IF ITS PRODUCTS. PRODUCT PERFORMANCE IS DEPENDENT ON THE INSTALLERS STRICT ADHERENCE TO THESE INSTALLATION INSTRUCTIONS.

SNO GEM, INC. IS NOT A LICENSED ARCHITECT OR ENGINEER, THEREFORE WE STRONGLY RECOMMEND THAT AN ARCHITECT AND/OR STRUCTURAL ENGINEER PROPERLY LICENSED IN THE CITY AND STATE WHERE THE PROJECT IS LOCATED, REVIEW THE CONTEMPLATED LAYOUT TO ENSURE THAT THE BUILDING STRUCTURE CAN WITHSTAND THE PROJECTED SNOW LOAD. SNO GEM, INC. ASSUMES NO LIABILITY THEREFORE.

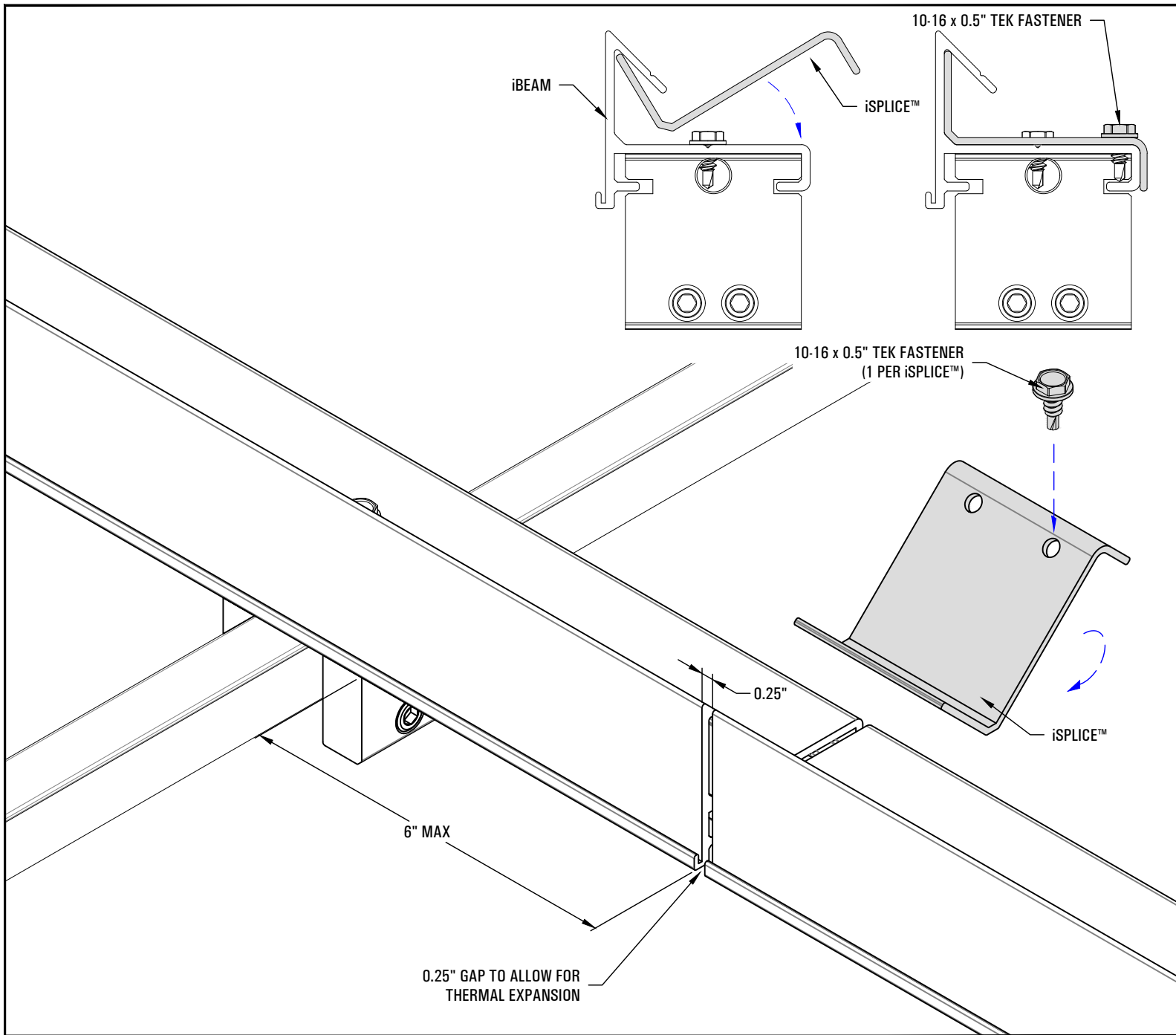
DRAWN BY: RJH

DATE: 11/12/16

SCALE: N.T.S.

2

*** iCLAD™ INSTALLATION INSTRUCTIONS ***



iSPlice™ INSTALLATION INSTRUCTIONS

1. ONCE ALL OF THE iBEAM'S™ HAVE BEEN FULLY INSTALLED, PLACE AN iSPlice™ AT EACH JOINT. MAKE SURE THERE IS AT LEAST A 0.25" GAP BETWEEN EACH ADJOINING iBEAM™ TO ALLOW FOR THERMAL EXPANSION.
2. INSTALL THE iSPlice™ BY SIMPLY PLACING THE END WITHOUT THE PRE-PUNCHED HOLES UP INTO THE iBEAM™ AND ROTATE INTO PLACE (SEE ABOVE DETAIL).
3. USING A 10-16 x 0.5" TEK FASTENER, FASTEN THE iSPlice™ TO THE iBEAM™. USE ONLY (1) TEK FASTENER PER iSPlice™ AND FASTEN THROUGH THE PRE-PUNCHED HOLE FURTHEST FROM THE CLOSET SNO CUBE™ CLAMP.
4. REPEAT STEPS 1-3 FOR EACH JOINT WHERE (2) iBEAMS™ MEET.

iCLAD™ INSTALLATION INSTRUCTIONS



Raising the Bar in Snow Retention

4800 METALMASTER WAY · McHENRY, IL 60050

PHONE: 815.477-GEMS

WEBSITE: WWW.SNOGEM.COM

FAX: 815.455.GEMS

E-MAIL: INFO@SNOGEM.COM

DISCLAIMER

THE INFORMATION HEREIN IS CONFIDENTIAL AND PROPRIETARY AND IS NOT TO BE DISCLOSED OR DELIVERED TO THIRD PARTIES WITHOUT THE PRIOR WRITTEN CONSENT OF SNO GEM, INC.

SNO GEM, INC. DOES NOT WARRANT THE INSTALLATION IF ITS PRODUCTS. PRODUCT PERFORMANCE IS DEPENDENT ON THE INSTALLERS STRICT ADHERENCE TO THESE INSTALLATION INSTRUCTIONS.

SNO GEM, INC. IS NOT A LICENSED ARCHITECT OR ENGINEER, THEREFORE WE STRONGLY RECOMMEND THAT AN ARCHITECT AND/OR STRUCTURAL ENGINEER PROPERLY LICENSED IN THE CITY AND STATE WHERE THE PROJECT IS LOCATED, REVIEW THE CONTEMPLATED LAYOUT TO ENSURE THAT THE BUILDING STRUCTURE CAN WITHSTAND THE PROJECTED SNOW LOAD. SNO GEM, INC. ASSUMES NO LIABILITY THEREFORE.

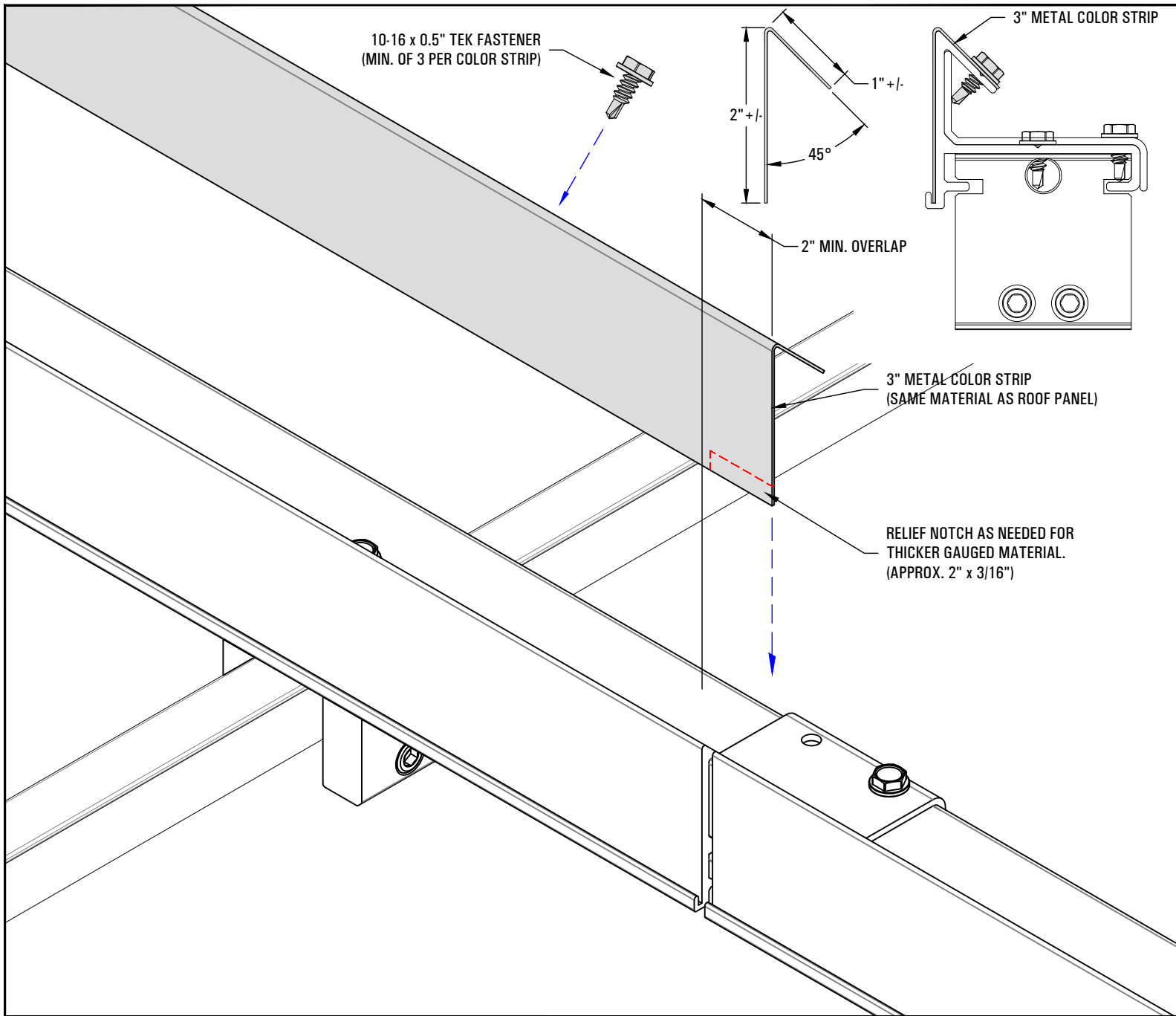
DRAWN BY: RJH

DATE: 11/12/16

SCALE: N.T.S.

3

*** iCLAD™ INSTALLATION INSTRUCTIONS ***



METAL COLOR STRIP INSTALLATION INSTRUCTIONS

1. USING THE SAME MATERIAL AS THE ROOF PANEL, CUT 3" STRIPS TO MATCH THE LENGTH OF THE iBEAM AND ENOUGH TO CLAD EACH ROW FULLY.
2. MEASURE AND MARK 1" OFF THE LONG EDGE OF THE 3" STRIP, THEN FULLY BEND +/-135° OVER (SEE ABOVE DETAIL).
3. TAKE EACH STRIP AND LAY EACH STRIP OVER THE iBEAM™ SO THAT THE EDGE OPPOSITE OF THE BEND SITS INSIDE THE CHANNEL OF THE iBEAM™, AND SO THAT ANY ADJOINING STRIPS OVERLAP EACH OTHER NO MORE THAN 2".
FOR THICKER GAUGE MATERIAL, CUTTING OUT A SMALL NOTCH AT THE BOTTOM CORNER MAY BE NECESSARY TO ACHIEVE THE SPECIFIED OVERLAP (SEE DETAIL ABOVE).
4. USE A 10-16 x 0.5" TEK FASTENER TO FASTEN EACH METAL COLOR STRIP TO THE iBEAM™ USING THE FASTENER ALIGNMENT NOTCH AND PANEL SEAM AS A GUIDE.
NOTE: THERE SHOULD BE A TEK FASTENER INSTALLED AT EVERY OTHER CLAMP OR 32" O.C. MAX.

iCLAD™ INSTALLATION INSTRUCTIONS



Raising the Bar in Snow Retention

4800 METALMASTER WAY · McHENRY, IL 60050

PHONE: 815.477.GEMS
FAX: 815.455.GEMS

WEBSITE: WWW.SNOGEM.COM
E-MAIL: INFO@SNOGEM.COM

DISCLAIMER

THE INFORMATION HEREIN IS CONFIDENTIAL AND PROPRIETARY AND IS NOT TO BE DISCLOSED OR DELIVERED TO THIRD PARTIES WITHOUT THE PRIOR WRITTEN CONSENT OF SNO GEM, INC.

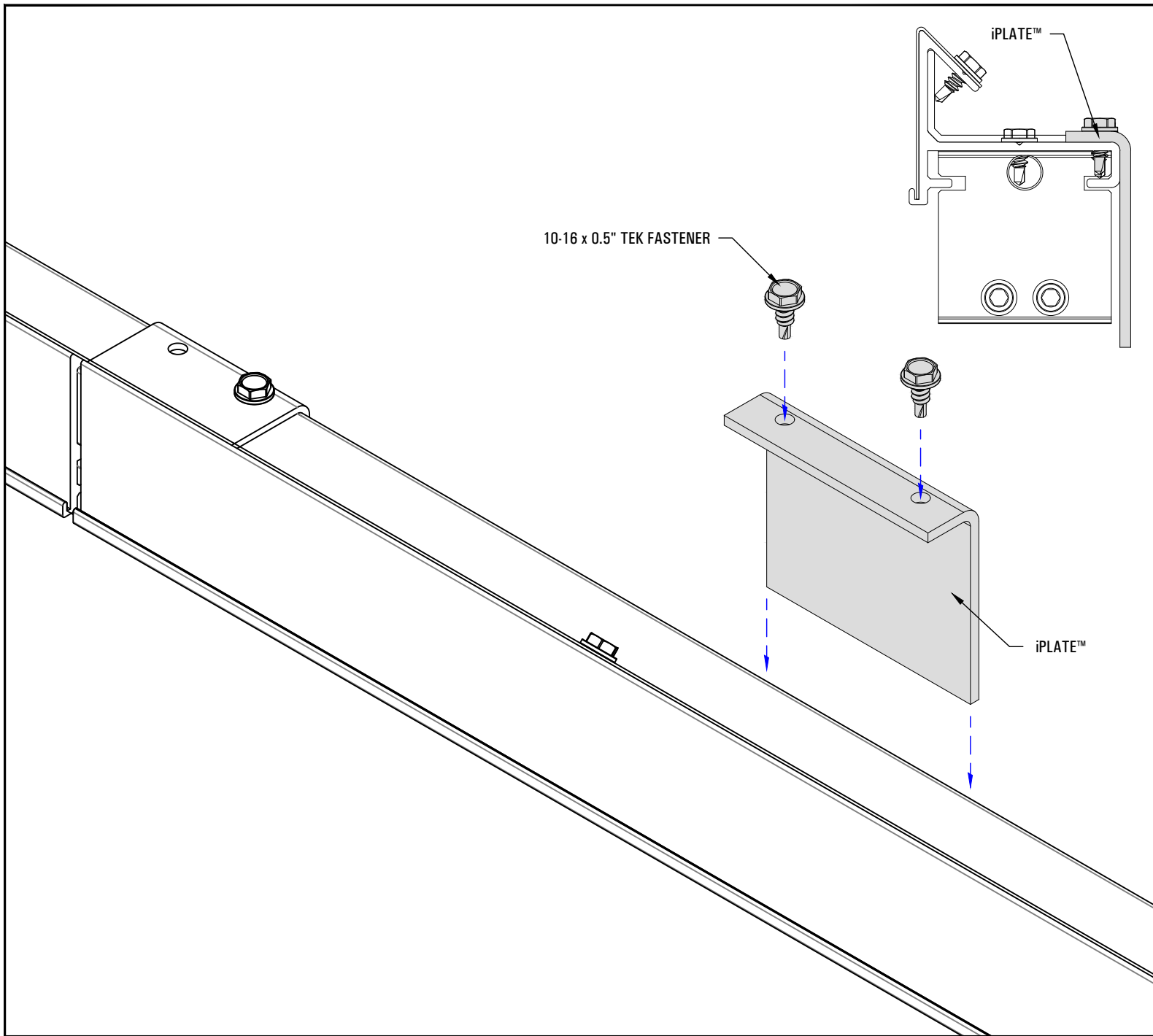
SNO GEM, INC. DOES NOT WARRANT THE INSTALLATION IF ITS PRODUCTS. PRODUCT PERFORMANCE IS DEPENDENT ON THE INSTALLERS STRICT ADHERENCE TO THESE INSTALLATION INSTRUCTIONS.

SNO GEM, INC. IS NOT A LICENSED ARCHITECT OR ENGINEER, THEREFORE WE STRONGLY RECOMMEND THAT AN ARCHITECT AND/OR STRUCTURAL ENGINEER PROPERLY LICENSED IN THE CITY AND STATE WHERE THE PROJECT IS LOCATED, REVIEW THE CONTEMPLATED LAYOUT TO ENSURE THAT THE BUILDING STRUCTURE CAN WITHSTAND THE PROJECTED SNOW LOAD. SNO GEM, INC. ASSUMES NO LIABILITY THEREFORE.

DRAWN BY:	RJH
DATE:	11/12/16
SCALE:	N.T.S.

4

*** iCLAD™ INSTALLATION INSTRUCTIONS ***



iPLATE™ INSTALLATION INSTRUCTIONS

1. ALIGN THE iPLATE™ ALONG THE BACK EDGE OF THE iBEAM AS SHOWN IN THE ABOVE DETAIL PER THE ARCHITECT'S AND/OR ENGINEER'S REQUIRED SPACING AND/OR LAYOUT, INCLUDING THEIR ADJUSTMENTS FOR FIELD CONDITIONS, IF ANY. (A RECOMMENDED LAYOUT IS FURNISHED BY SNO-GEM®, INC. ONLY UPON WRITTEN REQUEST)
2. USING (2) 10-16 x 0.5" TEK FASTENERS, ATTACH THE iPLATE™ TO THE iBEAM™.
3. MAKE SURE THAT THE iPLATE™ IS SECURELY FASTENED.
4. REPEAT STEPS 1-3 FOR THE REMAINING iPLATES™.

iCLAD™ INSTALLATION INSTRUCTIONS



Raising the Bar in Snow Retention

4800 METALMASTER WAY · McHENRY, IL 60050

PHONE: 815.477-GEMS
FAX: 815.455.GEMS

WEBSITE: WWW.SNOGEM.COM
E-MAIL: INFO@SNOGEM.COM

DISCLAIMER

THE INFORMATION HEREIN IS CONFIDENTIAL AND PROPRIETARY AND IS NOT TO BE DISCLOSED OR DELIVERED TO THIRD PARTIES WITHOUT THE PRIOR WRITTEN CONSENT OF SNO GEM, INC.

SNO GEM, INC. DOES NOT WARRANT THE INSTALLATION IF ITS PRODUCTS. PRODUCT PERFORMANCE IS DEPENDENT ON THE INSTALLERS STRICT ADHERENCE TO THESE INSTALLATION INSTRUCTIONS.

SNO GEM, INC. IS NOT A LICENSED ARCHITECT OR ENGINEER, THEREFORE WE STRONGLY RECOMMEND THAT AN ARCHITECT AND/OR STRUCTURAL ENGINEER PROPERLY LICENSED IN THE CITY AND STATE WHERE THE PROJECT IS LOCATED, REVIEW THE CONTEMPLATED LAYOUT TO ENSURE THAT THE BUILDING STRUCTURE CAN WITHSTAND THE PROJECTED SNOW LOAD. SNO GEM, INC. ASSUMES NO LIABILITY THEREFORE.

DRAWN BY:	RJH
DATE:	11/12/16
SCALE:	N.T.S.

5