

*** SNO BLOCKADE™ INSTALLATION INSTRUCTIONS ***

<p>TYP. WAVELOCK™ DETAIL</p> <p>PANEL SEAM</p> <p>SILVER BULLET™ SET SCREW</p>	<p>SNAP LOCK PROFILE</p> <p>2 SET SCREW SIDE</p> <p>SNO CUBE™ SHOWN</p>	<p>CEE-LOCK PROFILE</p> <p>2 SET SCREW SIDE</p> <p>SNO CUBE™ ZIP SHOWN</p>	<p>SINGLE LOCK PROFILE</p> <p>2 SET SCREW SIDE</p> <p>SNO CUBE™ SHOWN</p>
<p>BLOCKADE RECEIVER CHANNEL</p> <p>SNO BLOCKADE™ CLAMP</p>			<p>DOUBLE LOCK PROFILE</p> <p>2 SET SCREW SIDE</p> <p>SNO CUBE™ SHOWN</p>
<p>1. SLIDE THE BLOCKADE RECEIVER CHANNEL ON TO THE SNO BLOCKADE™ CLAMP AND SECURE WITH THE 0.3125"-.18 X 0.5" SOCKET CAP SCREW (SEE DETAIL ABOVE).</p> <p>NOTE: DO NOT TIGHTEN THE 0.3125"-.18 X 0.5" SOCKET CAP SCREW AT THIS POINT OF THE INSTALLATION.</p>	<p>BULB STYLE PROFILE</p> <p>2 SET SCREW SIDE</p> <p>SNO CUBE™ ZIP SHOWN</p>	<p>T-SEAM PROFILE</p> <p>2 SET SCREW SIDE</p> <p>SNO CUBE™ WIDE SHOWN</p>	

SNO BLOCKADE™ CLAMP INSTALLATION INSTRUCTIONS

- MEASURE THE DISTANCE FROM THE EAVE TO THE LOCATION OF THE FIRST ROW AND USE A STRING LINE OVER THE ROOF PANEL SEAMS TO ESTABLISH A STRAIGHT GUIDELINE FOR INSTALLATION.
- ALIGN THE SNO BLOCKADE™ CLAMP ON THE SEAM EXACTLY AS SHOWN IN THE ORIENTATION ON THE RIGHT SIDE OF THIS PAGE, DEPENDING ON THE APPLICABLE SEAM PROFILE .
- SET THE FIRST (2) SET SCREWS THAT ARE LOCATED ON THE SIDE OF THE CLAMP WITH THE (2) THREADED HOLES LOCATED AT THE BOTTOM OF THE CLAMP. THE TORQUE SHOULD BE VERIFIED WITH A CALIBRATED TORQUE WRENCH WITHIN THE RECOMMENDED GUIDELINES SET FORTH IN STEP 4 BELOW.
NOTE: IF THERE ARE (2) DIFFERENT SIZE SET SCREWS, ALWAYS USE THE LONGER SIZE ONES FOR THIS STEP.
- USING A CALIBRATED TORQUE WRENCH, TIGHTEN THE THIRD AND FINAL SET SCREW WHICH IS LOCATED ON THE SIDE OF THE CLAMP OPPOSITE THE (2) SET SCREWS SET IN PREVIOUS STEP. SET SCREWS SHOULD BE TORQUED AND VERIFIED PER THE FOLLOWING RECOMMENDATIONS:
NOTE: CONTACT SNO GEM, INC. FOR THE RECOMMENDED TORQUE REQUIREMENTS OF ANY METAL GAUGE AND/OR MATERIAL NOT LISTED BELOW.
A. 24 Ga. STEEL = 150 IN/LBS - 160 IN/LBS B. 22 Ga. STEEL = 180 IN/LBS - 200 IN/LBS
- VERIFY THAT THE SNO BLOCKADE™ CLAMP IS SECURE, STRAIGHT AND LEVEL, THEN REPEAT STEPS 1-5 FOR THE REMAINING CLAMPS. BE SURE TO FOLLOW THE ARCHITECT'S AND/OR ENGINEER'S REQUIRED SPACING AND/OR LAYOUT, INCLUDING THEIR ADJUSTMENTS FOR FIELD CONDITIONS, IF ANY. (A RECOMMENDED LAYOUT IS FURNISHED BY SNO GEM, INC. ONLY UPON WRITTEN REQUEST)

SNO BLOCKADE™ INSTALLATION INSTRUCTIONS



Raising the Bar in Snow Retention

4800 METALMASTER WAY · McHENRY, IL 60050

PHONE: 815.477.GEMS
FAX: 815.455.GEMS

WEBSITE: WWW.SNOGEM.COM
E-MAIL: INFO@SNOGEM.COM

DISCLAIMER

THE INFORMATION HEREIN IS CONFIDENTIAL AND PROPRIETARY AND IS NOT TO BE DISCLOSED OR DELIVERED TO THIRD PARTIES WITHOUT THE PRIOR WRITTEN CONSENT OF SNO GEM, INC.

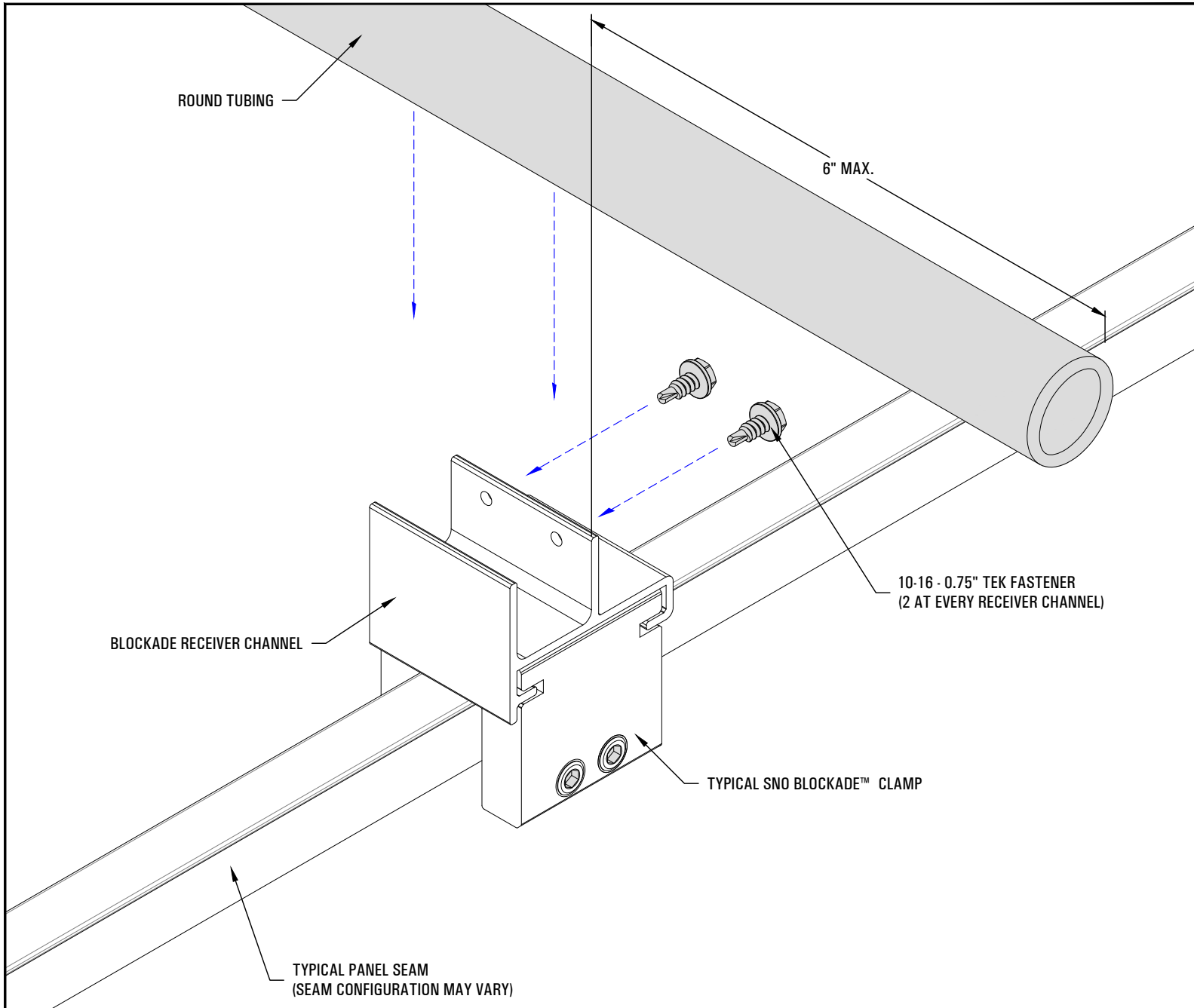
SNO GEM, INC. DOES NOT WARRANT THE INSTALLATION IF ITS PRODUCTS. PRODUCT PERFORMANCE IS DEPENDENT ON THE INSTALLERS STRICT ADHERENCE TO THESE INSTALLATION INSTRUCTIONS.

SNO GEM, INC. IS NOT A LICENSED ARCHITECT OR ENGINEER, THEREFORE WE STRONGLY RECOMMEND THAT AN ARCHITECT AND/OR STRUCTURAL ENGINEER PROPERLY LICENSED IN THE CITY AND STATE WHERE THE PROJECT IS LOCATED, REVIEW THE CONTEMPLATED LAYOUT TO ENSURE THAT THE BUILDING STRUCTURE CAN WITHSTAND THE PROJECTED SNOW LOAD. SNO GEM, INC. ASSUMES NO LIABILITY THEREFORE.

DRAWN BY:	RJH
DATE:	11/12/16
SCALE:	N.T.S.

1

*** SNO BLOCKADE™ INSTALLATION INSTRUCTIONS ***



ROUND TUBING INSTALLATION INSTRUCTIONS

1. ONCE THE SNO BLOCKADE™ CLAMPS HAVE BEEN INSTALLED AND PROPERLY TORQUED TO THE MANUFACTURERS RECOMMENDATIONS, PLACE A SECTION OF THE ROUND TUBING ONTO THE CLAMPS SO THAT IT REST INSIDE EACH RECEIVER CHANNEL.
2. ADJUST THE ROUND TUBING SO THAT THE END IS NO MORE THAN 6" FROM / PAST THE LAST SNO BLOCKADE™ CLAMP.
3. ONCE THE ROUND TUBING HAS BEEN PLACED IN THE RECEIVER CHANNELS AND ADJUSTED PROPERLY, USE (2) 10-16 x 0.75" TEK FASTENERS PER RECEIVER CHANNEL TO FASTEN AND SECURE THE ROUND TUBING.
4. TIGHTEN THE 0.3125"-18 x 0.5" SOCKET CAP SCREW AND THEN MAKE SURE THE SECTION OF ROUND TUBING IS SECURE.
5. REPEAT STEPS 1-4 FOR EACH SECTION OF ROUND TUBING USING INSERTS FOR EACH ADJOINING SECTION AS DESCRIBED ON THE NEXT PAGE OF INSTALLATION INSTRUCTIONS.

SNO BLOCKADE™ INSTALLATION INSTRUCTIONS



Raising the Bar in Snow Retention

4800 METALMASTER WAY · McHENRY, IL 60050

PHONE: 815.477.GEMS

WEBSITE: WWW.SNOGEM.COM

FAX: 815.455.GEMS

E-MAIL: INFO@SNOGEM.COM

DISCLAIMER

THE INFORMATION HEREIN IS CONFIDENTIAL AND PROPRIETARY AND IS NOT TO BE DISCLOSED OR DELIVERED TO THIRD PARTIES WITHOUT THE PRIOR WRITTEN CONSENT OF SNO GEM, INC.

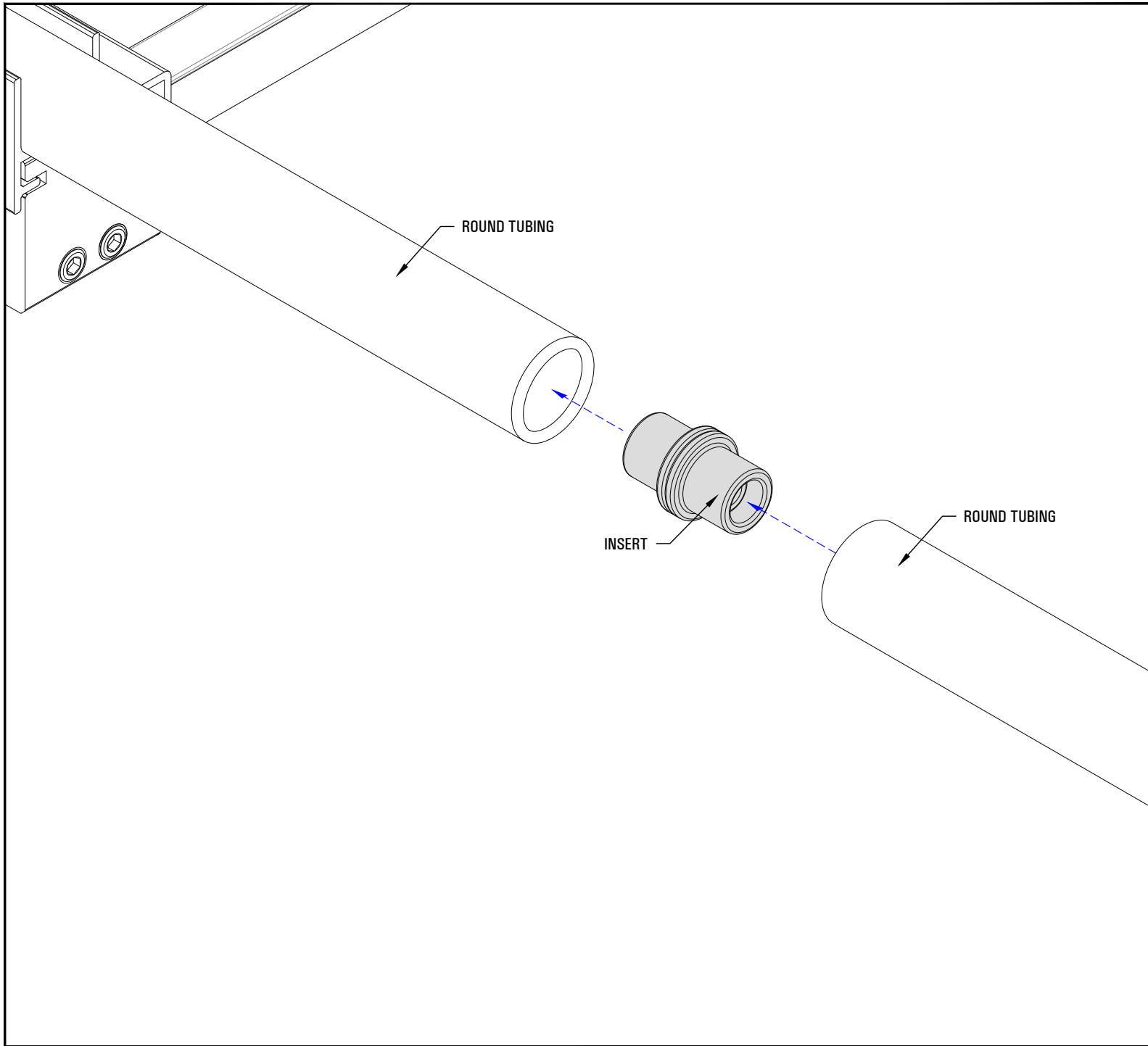
SNO GEM, INC. DOES NOT WARRANT THE INSTALLATION IF ITS PRODUCTS. PRODUCT PERFORMANCE IS DEPENDENT ON THE INSTALLERS STRICT ADHERENCE TO THESE INSTALLATION INSTRUCTIONS.

SNO GEM, INC. IS NOT A LICENSED ARCHITECT OR ENGINEER, THEREFORE WE STRONGLY RECOMMEND THAT AN ARCHITECT AND/OR STRUCTURAL ENGINEER PROPERLY LICENSED IN THE CITY AND STATE WHERE THE PROJECT IS LOCATED, REVIEW THE CONTEMPLATED LAYOUT TO ENSURE THAT THE BUILDING STRUCTURE CAN WITHSTAND THE PROJECTED SNOW LOAD. SNO GEM, INC. ASSUMES NO LIABILITY THEREFORE.

DRAWN BY:	RJH
DATE:	11/12/16
SCALE:	N.T.S.

2

*** SNO BLOCKADE™ INSTALLATION INSTRUCTIONS ***



INSERT INSTALLATION INSTRUCTIONS

1. FOR EACH SECTION OF ADJOINING ROUND TUBING, AN INSERT MUST BE USED.
2. SIMPLY PRESS THE INSERT INTO THE ROUND TUBING CLOSEST TO A SNO BLOCKADE™ CLAMP.
3. SLIDE A SECTION OF ROUND TUBING ONTO THE OPPOSITE SIDE OF INSERT UP TO THE INDICATION LINE FOR THE PROPER THERMAL EXPANSION GAP.
4. REPEAT STEPS 1-3 FOR EACH JOINT WHERE (2) SECTIONS OF ROUND TUBING MEET..

SNO BLOCKADE™ INSTALLATION INSTRUCTIONS



Raising the Bar in Snow Retention

4800 METALMASTER WAY · McHENRY, IL 60050

PHONE: 815.477-GEMS
FAX: 815.455.GEMS

WEBSITE: WWW.SNOGEM.COM
E-MAIL: INFO@SNOGEM.COM

DISCLAIMER

THE INFORMATION HEREIN IS CONFIDENTIAL AND PROPRIETARY AND IS NOT TO BE DISCLOSED OR DELIVERED TO THIRD PARTIES WITHOUT THE PRIOR WRITTEN CONSENT OF SNO GEM, INC.

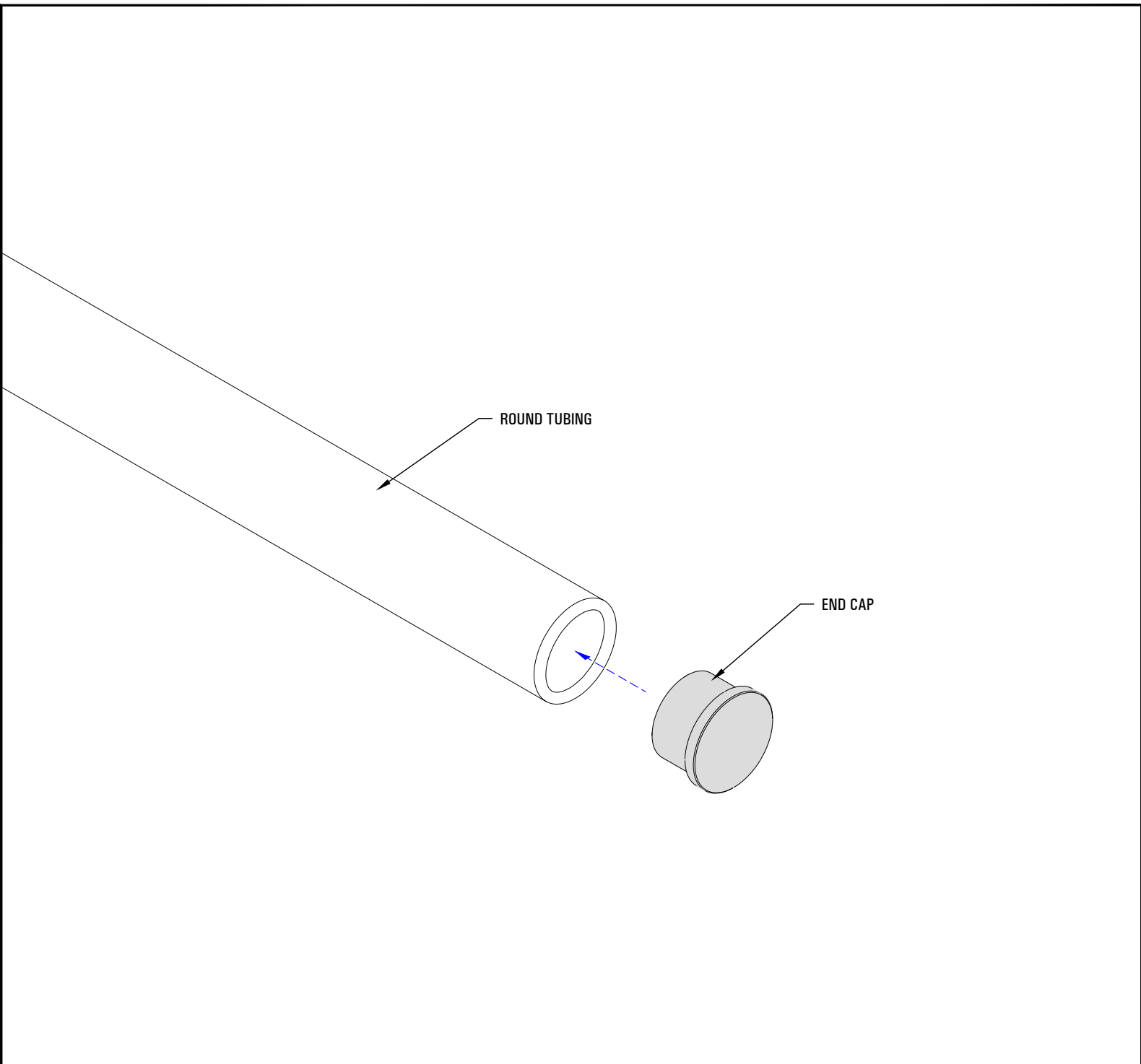
SNO GEM, INC. DOES NOT WARRANT THE INSTALLATION IF ITS PRODUCTS. PRODUCT PERFORMANCE IS DEPENDENT ON THE INSTALLERS STRICT ADHERENCE TO THESE INSTALLATION INSTRUCTIONS.

SNO GEM, INC. IS NOT A LICENSED ARCHITECT OR ENGINEER, THEREFORE WE STRONGLY RECOMMEND THAT AN ARCHITECT AND/OR STRUCTURAL ENGINEER PROPERLY LICENSED IN THE CITY AND STATE WHERE THE PROJECT IS LOCATED, REVIEW THE CONTEMPLATED LAYOUT TO ENSURE THAT THE BUILDING STRUCTURE CAN WITHSTAND THE PROJECTED SNOW LOAD. SNO GEM, INC. ASSUMES NO LIABILITY THEREFORE.

DRAWN BY:	RJH
DATE:	11/12/16
SCALE:	N.T.S.

3

*** SNO BLOCKADE™ INSTALLATION INSTRUCTIONS ***



END CAP INSTALLATION INSTRUCTIONS

1. AT THE END OF EACH RUN, SIMPLY PRESS AN ENDCAP INTO THE OPENING OF THE ROUND TUBING CLOSING IT OFF.

SNO BLOCKADE™ INSTALLATION INSTRUCTIONS



Raising the Bar in Snow Retention

4800 METALMASTER WAY · McHENRY, IL 60050

PHONE: 815.477-GEMS
FAX: 815.455.GEMS

WEBSITE: WWW.SNOGEM.COM
E-MAIL: INFO@SNOGEM.COM

DISCLAIMER

THE INFORMATION HEREIN IS CONFIDENTIAL AND PROPRIETARY AND IS NOT TO BE DISCLOSED OR DELIVERED TO THIRD PARTIES WITHOUT THE PRIOR WRITTEN CONSENT OF SNO GEM, INC.

SNO GEM, INC. DOES NOT WARRANT THE INSTALLATION IF ITS PRODUCTS. PRODUCT PERFORMANCE IS DEPENDENT ON THE INSTALLERS STRICT ADHERENCE TO THESE INSTALLATION INSTRUCTIONS.

SNO GEM, INC. IS NOT A LICENSED ARCHITECT OR ENGINEER, THEREFORE WE STRONGLY RECOMMEND THAT AN ARCHITECT AND/OR STRUCTURAL ENGINEER PROPERLY LICENSED IN THE CITY AND STATE WHERE THE PROJECT IS LOCATED, REVIEW THE CONTEMPLATED LAYOUT TO ENSURE THAT THE BUILDING STRUCTURE CAN WITHSTAND THE PROJECTED SNOW LOAD. SNO GEM, INC. ASSUMES NO LIABILITY THEREFORE.

DRAWN BY: RJH

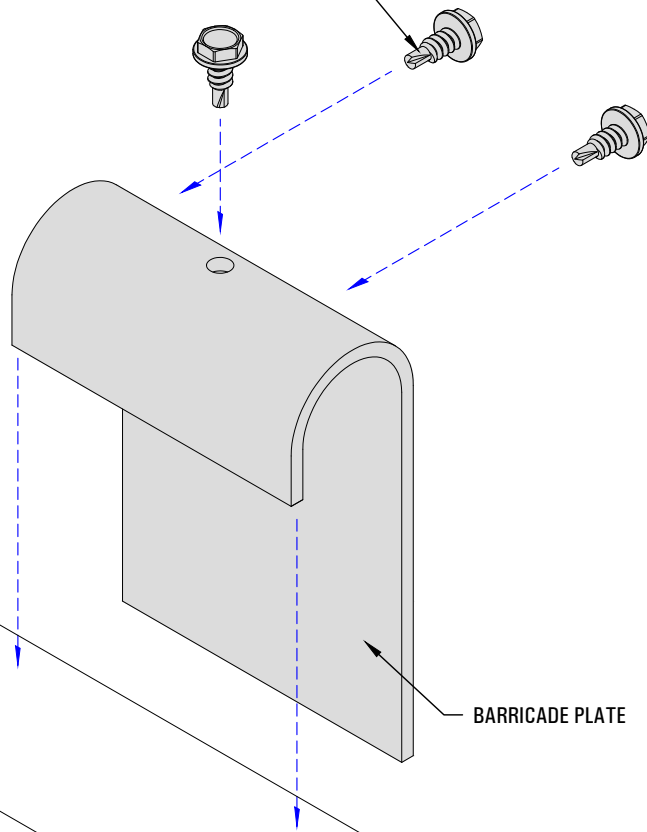
DATE: 11/12/16

SCALE: N.T.S.

4

*** SNO BLOCKADE™ INSTALLATION INSTRUCTIONS ***

10-16 x 0.75" TEK FASTENER



BARRICADE PLATE

ROUND TUBING

BARRICADE PLATE INSTALLATION INSTRUCTIONS

1. PLACE THE BARRICADE PLATE OVER THE ROUND TUBING PER THE ARCHITECT'S AND/OR ENGINEER'S REQUIRED SPACING AND/OR LAYOUT, INCLUDING THEIR ADJUSTMENTS FOR FIELD CONDITIONS, IF ANY. (A RECOMMENDED LAYOUT IS FURNISHED BY SNO-GEM®, INC. ONLY UPON WRITTEN REQUEST)
2. USING (3) 10-16 x 0.75" TEK FASTENER, ATTACH THE BARRICADE PLATE TO THE ROUND TUBING.
3. MAKE SURE THE BARRICADE PLATE IS SECURELY FASTENED.
4. REPEAT STEPS 1-3 FOR THE REMAINING BARRICADE PLATES

SNO BLOCKADE™ INSTALLATION INSTRUCTIONS



Raising the Bar in Snow Retention

4800 METALMASTER WAY · McHENRY, IL 60050

PHONE: 815.477-GEMS
FAX: 815.455.GEMS

WEBSITE: WWW.SNOGEM.COM
E-MAIL: INFO@SNOGEM.COM

DISCLAIMER

THE INFORMATION HEREIN IS CONFIDENTIAL AND PROPRIETARY AND IS NOT TO BE DISCLOSED OR DELIVERED TO THIRD PARTIES WITHOUT THE PRIOR WRITTEN CONSENT OF SNO GEM, INC.

SNO GEM, INC. DOES NOT WARRANT THE INSTALLATION IF ITS PRODUCTS. PRODUCT PERFORMANCE IS DEPENDENT ON THE INSTALLERS STRICT ADHERENCE TO THESE INSTALLATION INSTRUCTIONS.

SNO GEM, INC. IS NOT A LICENSED ARCHITECT OR ENGINEER, THEREFORE WE STRONGLY RECOMMEND THAT AN ARCHITECT AND/OR STRUCTURAL ENGINEER PROPERLY LICENSED IN THE CITY AND STATE WHERE THE PROJECT IS LOCATED, REVIEW THE CONTEMPLATED LAYOUT TO ENSURE THAT THE BUILDING STRUCTURE CAN WITHSTAND THE PROJECTED SNOW LOAD. SNO GEM, INC. ASSUMES NO LIABILITY THEREFORE.

DRAWN BY:	RJH
DATE:	11/12/16
SCALE:	N.T.S.

5