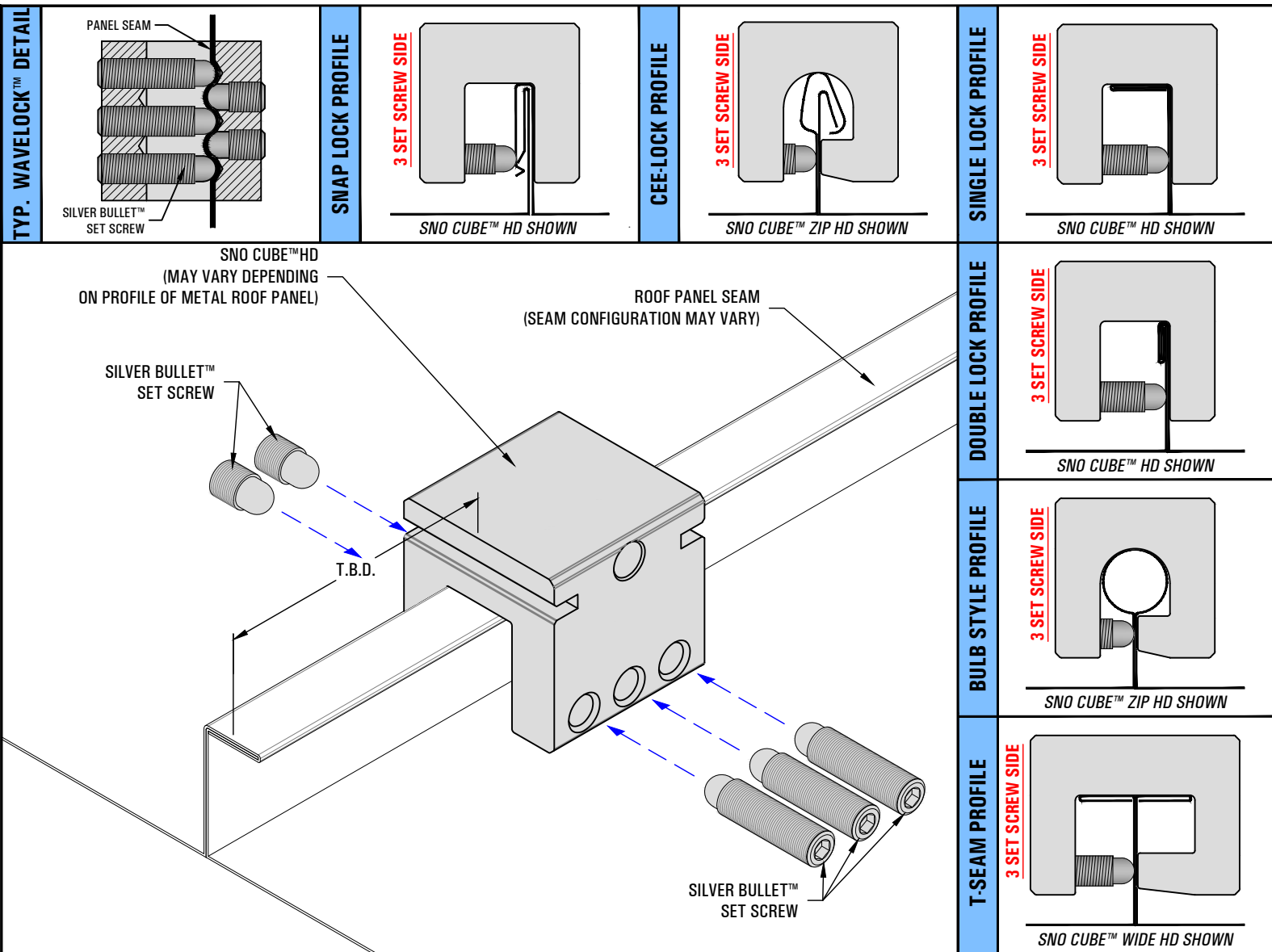


# \*\*\* iCLAD-S™ INSTALLATION INSTRUCTIONS \*\*\*



## SNO CUBE™ HD INSTALLATION INSTRUCTIONS

- MEASURE THE DISTANCE FROM THE EAVE TO THE LOCATION OF THE FIRST ROW AND USE A STRING LINE OVER THE ROOF PANEL SEAMS TO ESTABLISH A STRAIGHT GUIDELINE FOR INSTALLATION.
- ALIGN THE SNO CUBE™ HD CLAMP ON THE SEAM EXACTLY AS SHOWN IN THE ORIENTATION ON THE RIGHT SIDE OF THIS PAGE, DEPENDING ON THE APPLICABLE SEAM PROFILE.
- SET THE FIRST (3) SET SCREWS THAT ARE LOCATED ON THE SIDE OF THE HD CLAMP WITH THE (3) THREADED HOLES LOCATED AT THE BOTTOM OF THE HD CLAMP. THE TORQUE SHOULD BE VERIFIED WITH A CALIBRATED TORQUE WRENCH WITHIN THE RECOMMENDED GUIDELINES SET FORTH IN STEP 4 BELOW.  
*NOTE: IF THERE ARE (2) DIFFERENT SIZE SET SCREWS, ALWAYS USE THE LONGER SIZE ONES FOR THIS STEP.*
- USING A CALIBRATED TORQUE WRENCH, TIGHTEN THE FINAL SET SCREWS WHICH ARE LOCATED ON THE SIDE OF THE CLAMP OPPOSITE THE (3) SET SCREWS SET IN THE PREVIOUS STEP. SET SCREWS SHOULD BE TORQUED AND VERIFIED PER THE FOLLOWING RECOMMENDATIONS:  
*NOTE: CONTACT SNO GEM, INC. FOR THE RECOMMENDED TORQUE REQUIREMENTS OF ANY METAL GAUGE AND/OR MATERIAL NOT LISTED BELOW.*  
A. 24 Ga. STEEL = 150 IN/LBS · 160 IN/LBS    B. 22 Ga. STEEL = 180 IN/LBS · 200 IN/LBS
- VERIFY THAT THE SNO CUBE™ HD CLAMP IS SECURE, STRAIGHT AND LEVEL, THEN REPEAT STEPS 2-5 FOR REMAINING CLAMPS. BE SURE TO FOLLOW THE ARCHITECT'S AND/OR ENGINEER'S REQUIRED SPACING AND/OR LAYOUT, INCLUDING THEIR ADJUSTMENTS FOR FIELD CONDITIONS, IF ANY. (A RECOMMENDED LAYOUT IS FURNISHED BY SNO GEM, INC. ONLY UPON WRITTEN REQUEST)

# iCLAD-S™ INSTALLATION INSTRUCTIONS



**Raising the Bar in Snow Retention**

4800 METALMASTER WAY · McHENRY, IL 60050

PHONE: 815.477.GEMS

WEBSITE: WWW.SNOGEM.COM

FAX: 815.455.GEMS

E-MAIL: INFO@SNOGEM.COM

### DISCLAIMER

THE INFORMATION HEREIN IS CONFIDENTIAL AND PROPRIETARY AND IS NOT TO BE DISCLOSED OR DELIVERED TO THIRD PARTIES WITHOUT THE PRIOR WRITTEN CONSENT OF SNO GEM, INC.

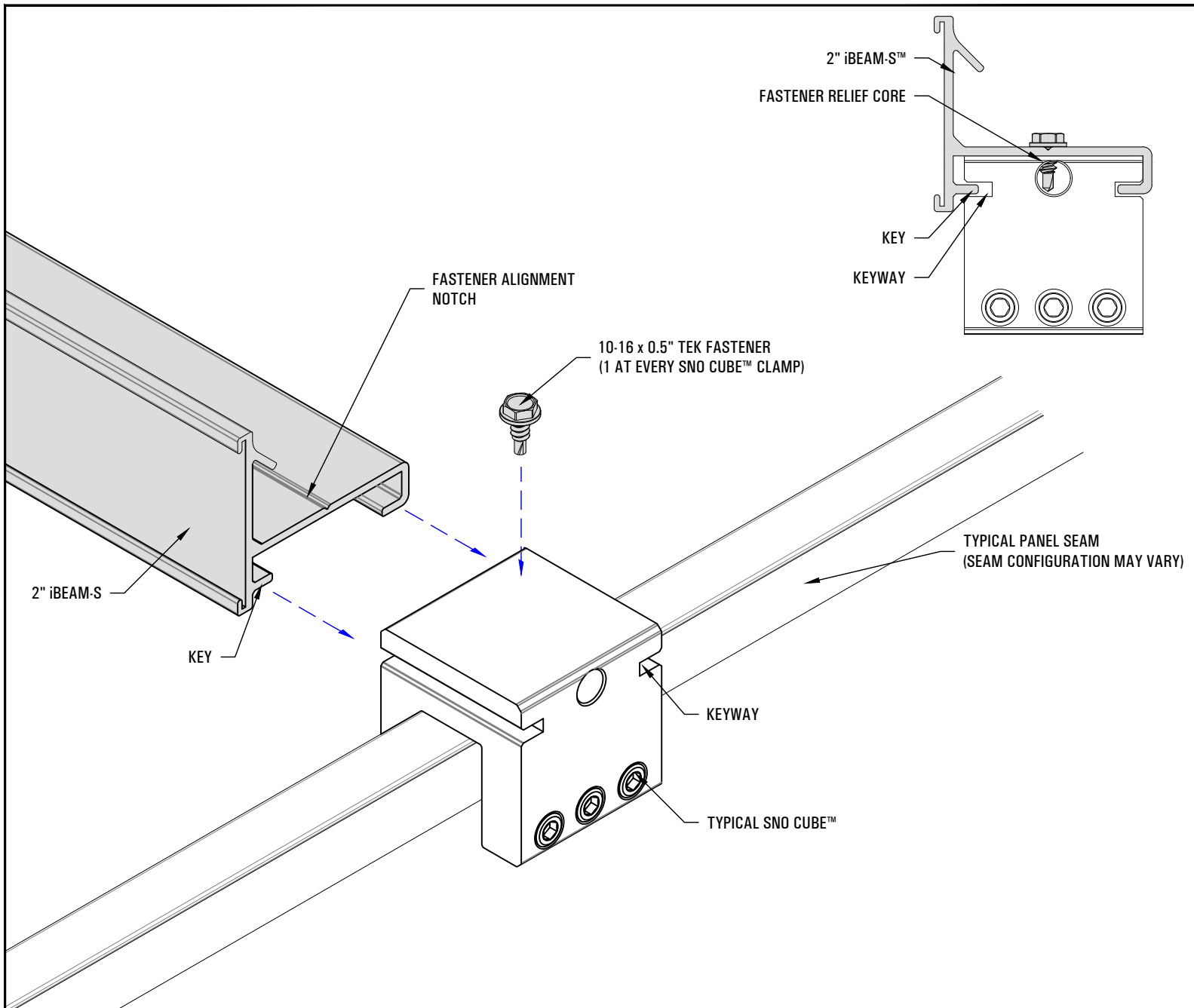
SNO GEM, INC. DOES NOT WARRANT THE INSTALLATION IF ITS PRODUCTS. PRODUCT PERFORMANCE IS DEPENDENT ON THE INSTALLERS STRICT ADHERENCE TO THESE INSTALLATION INSTRUCTIONS.

SNO GEM, INC. IS NOT A LICENSED ARCHITECT OR ENGINEER, THEREFORE WE STRONGLY RECOMMEND THAT AN ARCHITECT AND/OR STRUCTURAL ENGINEER PROPERLY LICENSED IN THE CITY AND STATE WHERE THE PROJECT IS LOCATED, REVIEW THE CONTEMPLATED LAYOUT TO ENSURE THAT THE BUILDING STRUCTURE CAN WITHSTAND THE PROJECTED SNOW LOAD. SNO GEM, INC. ASSUMES NO LIABILITY THEREFORE.

DRAWN BY:	RJH
DATE:	12/14/15
SCALE:	N.T.S.

1

# \*\*\* iCLAD-S™ INSTALLATION INSTRUCTIONS \*\*\*



## 2" iBEAM-S™ INSTALLATION INSTRUCTIONS

1. ONCE THE SNO CUBE™ HD CLAMPS HAVE BEEN INSTALLED AND VERIFIED TO BE PROPERLY TORQUED TO THE MANUFACTURER'S RECOMMENDATIONS, SLIDE A SECTION OF THE 2" iBEAM-S™ ONTO THE CLAMPS BY ALIGNING THE KEYS ON THE 2" iBEAM-S™ TO THE KEYWAYS ON THE SNO CUBE™.
2. SLIDE THE ENTIRE 2" iBEAM-S™ SECTION SO THAT THE END IS NO MORE THAN 6" FROM / PAST THE LAST SNO CUBE HD CLAMP™.
3. ONCE A SECTION OF 2" iBEAM-S™ HAS BEEN COMPLETELY SLID ONTO THE SNO CUBE™ HD CLAMPS, ALIGN THE 10-16 x 0.5" TEK FASTENER WITH THE FASTENER ALIGNMENT NOTCH ON THE 2" iBEAM-S™ AND THE PANEL SEAM, PULL THE iBEAM-S™ DOWNSLOPE, THEN FASTEN THROUGH THE 2" iBEAM-S™ AND INTO THE SNO CUBE™ HD CLAMP.
4. REPEAT STEP 3 FOR EACH SNO CUBE™ HD CLAMP WITHIN THE FIRST SECTION OF THE 2" iBEAM-S™.
5. REPEAT STEPS 1-4 FOR THE REMAINING SECTIONS OF 2" iBEAM-S™ LEAVING A 0.25" OF GAP IN BETWEEN EACH iBEAM-S™ TO ALLOW FOR THERMAL EXPANSION.

# iCLAD-S™ INSTALLATION INSTRUCTIONS



**Raising the Bar in Snow Retention**

4800 METALMASTER WAY - McHENRY, IL 60050

PHONE: 815.477-GEMS

WEBSITE: WWW.SNOGEM.COM

FAX: 815.455.GEMS

E-MAIL: INFO@SNOGEM.COM

### DISCLAIMER

THE INFORMATION HEREIN IS CONFIDENTIAL AND PROPRIETARY AND IS NOT TO BE DISCLOSED OR DELIVERED TO THIRD PARTIES WITHOUT THE PRIOR WRITTEN CONSENT OF SNO GEM, INC.

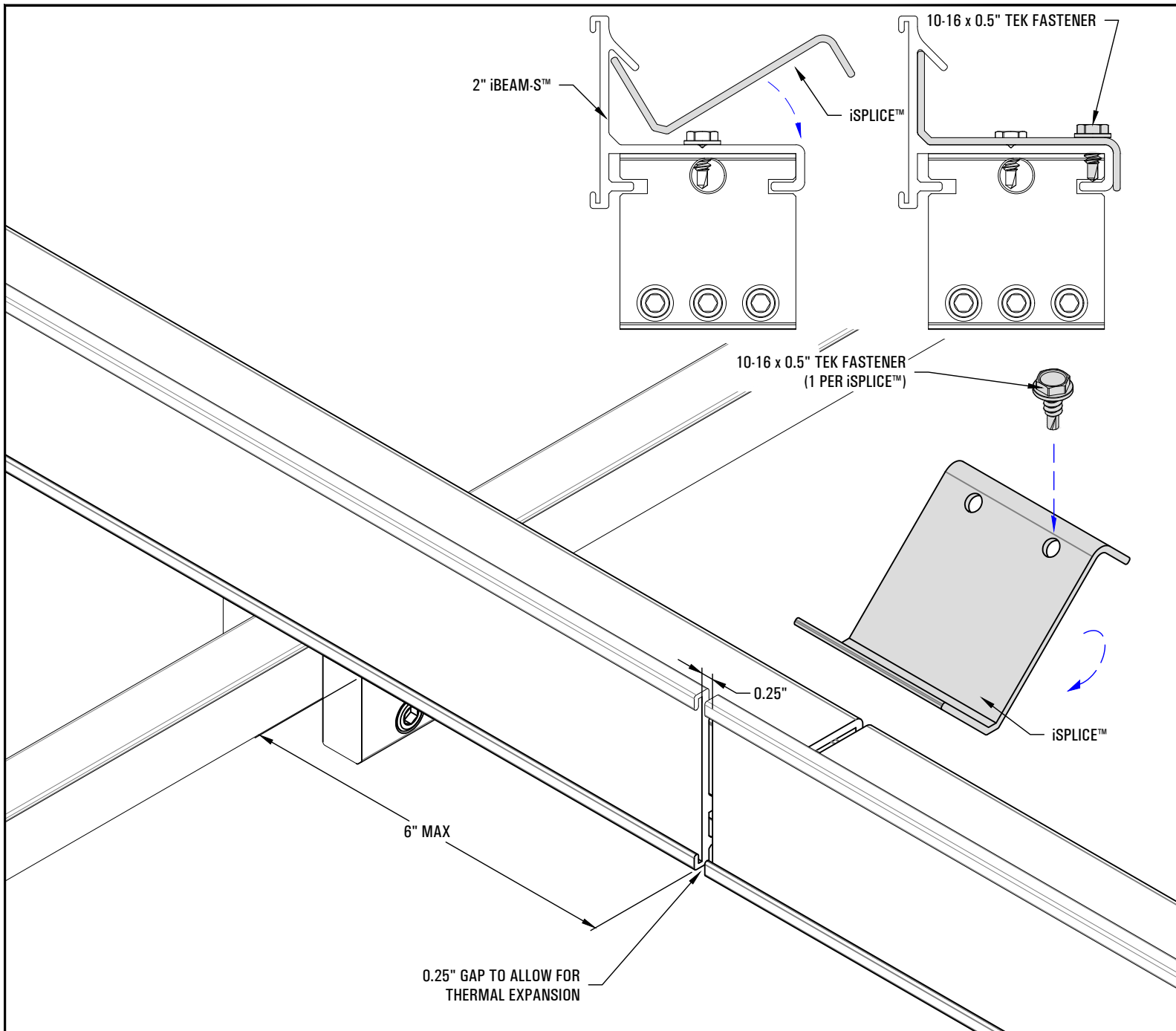
SNO GEM, INC. DOES NOT WARRANT THE INSTALLATION IF ITS PRODUCTS. PRODUCT PERFORMANCE IS DEPENDENT ON THE INSTALLERS STRICT ADHERENCE TO THESE INSTALLATION INSTRUCTIONS.

SNO GEM, INC. IS NOT A LICENSED ARCHITECT OR ENGINEER, THEREFORE WE STRONGLY RECOMMEND THAT AN ARCHITECT AND/OR STRUCTURAL ENGINEER PROPERLY LICENSED IN THE CITY AND STATE WHERE THE PROJECT IS LOCATED, REVIEW THE CONTEMPLATED LAYOUT TO ENSURE THAT THE BUILDING STRUCTURE CAN WITHSTAND THE PROJECTED SNOW LOAD. SNO GEM, INC. ASSUMES NO LIABILITY THEREFORE.

DRAWN BY:	RJH
DATE:	10/7/15
SCALE:	N.T.S.

2

# \*\*\* iCLAD-S™ INSTALLATION INSTRUCTIONS \*\*\*



## iSPlice™ INSTALLATION INSTRUCTIONS

1. ONCE EACH OF THE 2" iBEAM-S™ HAS BEEN FULLY INSTALLED, PLACE AN iSPlice™ AT EACH JOINT. MAKE SURE THERE IS AT LEAST A 0.25" GAP BETWEEN EACH ADJOINING 2" iBEAM-S'S™ TO ALLOW FOR THERMAL EXPANSION.
2. INSTALL THE iSPlice™ BY SIMPLY PLACING THE END WITHOUT THE PRE-PUNCHED HOLES UP INTO THE iBEAM™ AND ROTATE INTO PLACE (SEE ABOVE DETAIL).
3. USING A 10-16 x 0.5" TEK FASTENER, FASTEN THE iSPlice™ TO THE 2" iBEAM-S™. USE ONLY (1) TEK FASTENER PER iSPlice™ AND FASTEN THROUGH THE PRE-PUNCHED HOLE FURTHEST FROM THE CLOSET SNO CUBE™ HD CLAMP.
4. REPEAT STEPS 1-3 FOR EACH JOINT WHERE (2) 2" iBEAM-S'S™ MEET.

# iCLAD-S™ INSTALLATION INSTRUCTIONS



**Raising the Bar in Snow Retention**

4800 METALMASTER WAY · McHENRY, IL 60050

PHONE: 815.477-GEMS  
FAX: 815.455.GEMS

WEBSITE: WWW.SNOGEM.COM  
E-MAIL: INFO@SNOGEM.COM

### DISCLAIMER

THE INFORMATION HEREIN IS CONFIDENTIAL AND PROPRIETARY AND IS NOT TO BE DISCLOSED OR DELIVERED TO THIRD PARTIES WITHOUT THE PRIOR WRITTEN CONSENT OF SNO GEM, INC.

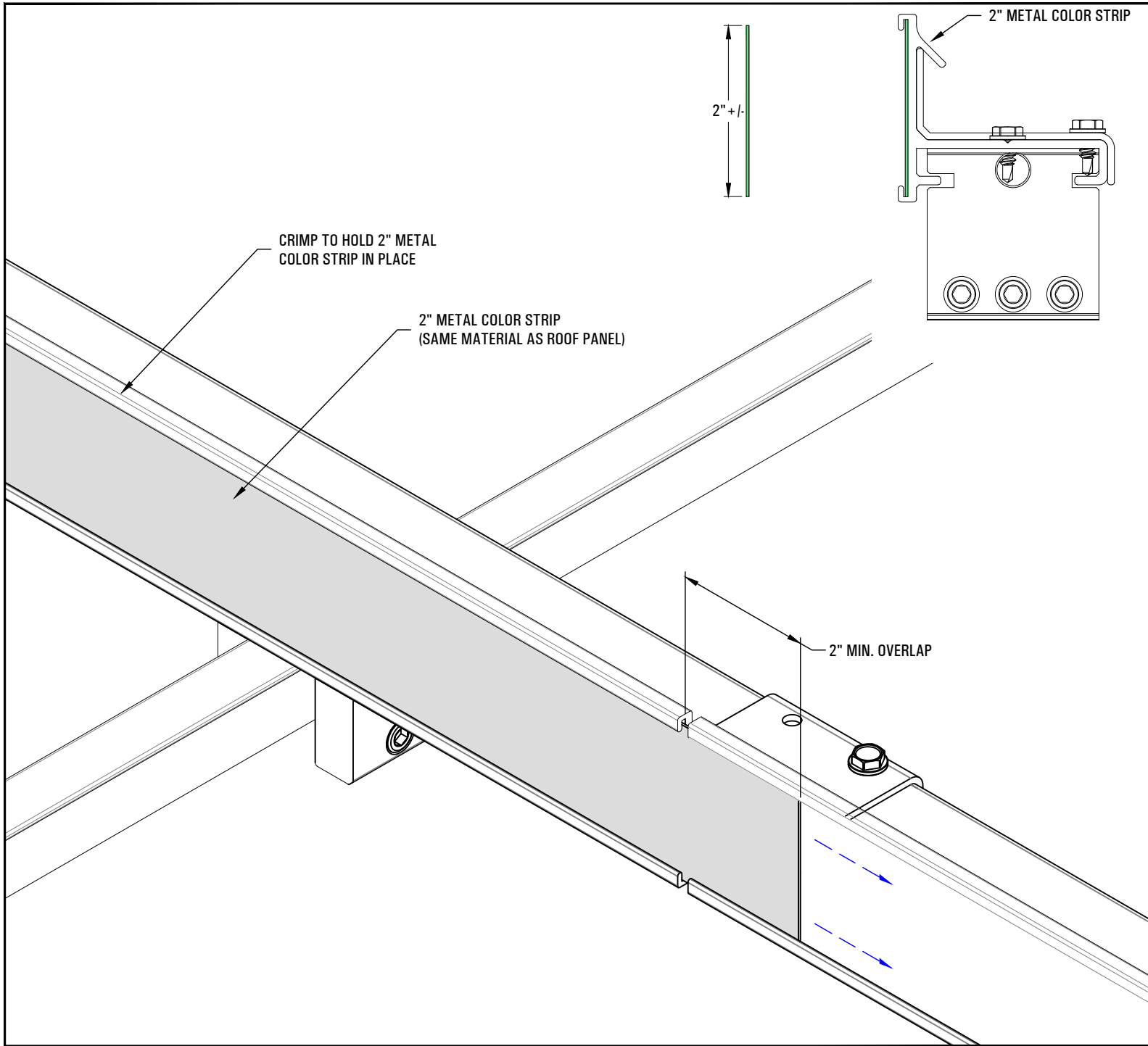
SNO GEM, INC. DOES NOT WARRANT THE INSTALLATION IF ITS PRODUCTS. PRODUCT PERFORMANCE IS DEPENDENT ON THE INSTALLERS STRICT ADHERENCE TO THESE INSTALLATION INSTRUCTIONS.

SNO GEM, INC. IS NOT A LICENSED ARCHITECT OR ENGINEER, THEREFORE WE STRONGLY RECOMMEND THAT AN ARCHITECT AND/OR STRUCTURAL ENGINEER PROPERLY LICENSED IN THE CITY AND STATE WHERE THE PROJECT IS LOCATED, REVIEW THE CONTEMPLATED LAYOUT TO ENSURE THAT THE BUILDING STRUCTURE CAN WITHSTAND THE PROJECTED SNOW LOAD. SNO GEM, INC. ASSUMES NO LIABILITY THEREFORE.

DRAWN BY:	RJH
DATE:	10/7/15
SCALE:	N.T.S.

**3**

# \*\*\* iCLAD-S™ INSTALLATION INSTRUCTIONS \*\*\*



## METAL COLOR STRIP INSTALLATION INSTRUCTIONS

1. USING THE SAME MATERIAL AS THE ROOF PANEL, CUT 2" STRIPS TO MATCH THE LENGTH OF THE 2" iBEAM-S™ AND ENOUGH TO CLAD EACH ROW FULLY.
2. TAKE EACH STRIP AND SLIDE THROUGH THE 2" iBEAM-S™ UNTIL THE EDGE OVERLAPS THE ADJOINING 2" iBEAM-S™ A MINIMUM OF 2".
3. AFTER EACH 2" METAL COLOR STRIP HAS BEEN SLID INTO PLACE, USE A PAIR OF PLIERS TO CRIMP THE TOP EDGE OF THE 2" iBEAM-S™.

**NOTE: THE INSTALLER SHOULD CRIMP EACH 2" iBEAM-S™ SECTION (3) TIMES, EQUALLY SPACED.**

# iCLAD-S™ INSTALLATION INSTRUCTIONS



**Raising the Bar in Snow Retention**

4800 METALMASTER WAY · McHENRY, IL 60050

PHONE: 815.477-GEMS  
FAX: 815.455.GEMS

WEBSITE: WWW.SNOGEM.COM  
E-MAIL: INFO@SNOGEM.COM

### DISCLAIMER

THE INFORMATION HEREIN IS CONFIDENTIAL AND PROPRIETARY AND IS NOT TO BE DISCLOSED OR DELIVERED TO THIRD PARTIES WITHOUT THE PRIOR WRITTEN CONSENT OF SNO GEM, INC.

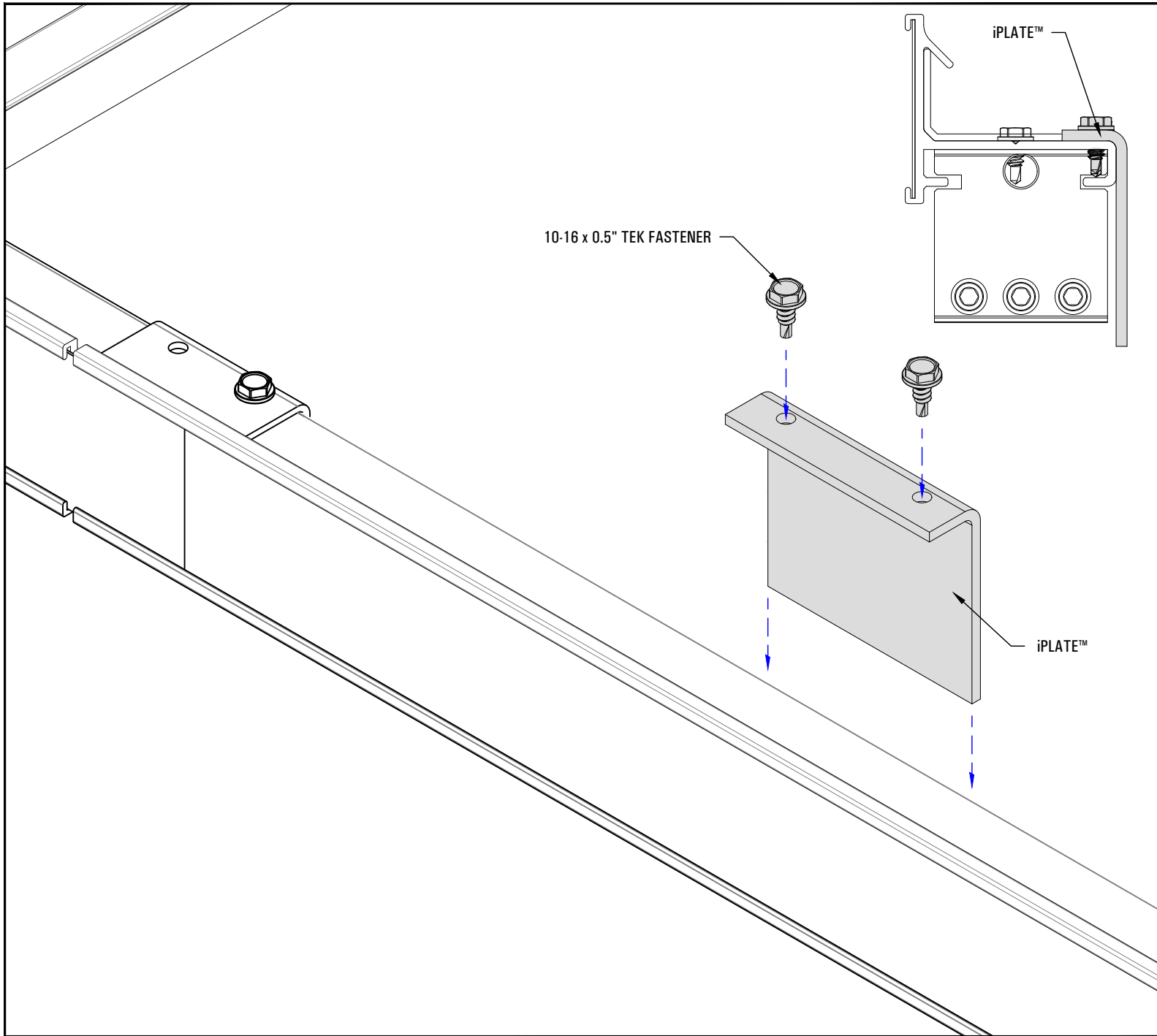
SNO GEM, INC. DOES NOT WARRANT THE INSTALLATION IF ITS PRODUCTS. PRODUCT PERFORMANCE IS DEPENDENT ON THE INSTALLERS STRICT ADHERENCE TO THESE INSTALLATION INSTRUCTIONS.

SNO GEM, INC. IS NOT A LICENSED ARCHITECT OR ENGINEER, THEREFORE WE STRONGLY RECOMMEND THAT AN ARCHITECT AND/OR STRUCTURAL ENGINEER PROPERLY LICENSED IN THE CITY AND STATE WHERE THE PROJECT IS LOCATED, REVIEW THE CONTEMPLATED LAYOUT TO ENSURE THAT THE BUILDING STRUCTURE CAN WITHSTAND THE PROJECTED SNOW LOAD. SNO GEM, INC. ASSUMES NO LIABILITY THEREFORE.

DRAWN BY:	RJH
DATE:	10/7/15
SCALE:	N.T.S.

**4**

# \*\*\* iCLAD-S™ INSTALLATION INSTRUCTIONS \*\*\*



## iPLATE™ INSTALLATION INSTRUCTIONS

1. ALIGN THE iPLATE™ ALONG THE BACK EDGE OF THE 2" iBEAM™ AS SHOWN IN THE ABOVE DETAIL PER THE ARCHITECT'S AND/OR ENGINEER'S REQUIRED SPACING AND/OR LAYOUT, INCLUDING THEIR ADJUSTMENTS FOR FIELD CONDITIONS, IF ANY. (A RECOMMENDED LAYOUT IS FURNISHED BY SNO-GEM®, INC. ONLY UPON WRITTEN REQUEST)
2. USING (2) 10-16 x 0.5" TEK FASTENERS, ATTACH THE iPLATE™ TO THE 2" iBEAM-S™.
3. MAKE SURE THAT THE iPLATE™ IS SECURELY FASTENED.
4. REPEAT STEPS 1-3 FOR THE REMAINING iPLATES™.

# iCLAD-S™ INSTALLATION INSTRUCTIONS



**Raising the Bar in Snow Retention**

4800 METALMASTER WAY · McHENRY, IL 60050

PHONE: 815.477-GEMS

WEBSITE: WWW.SNOGEM.COM

FAX: 815.455.GEMS

E-MAIL: INFO@SNOGEM.COM

### DISCLAIMER

THE INFORMATION HEREIN IS CONFIDENTIAL AND PROPRIETARY AND IS NOT TO BE DISCLOSED OR DELIVERED TO THIRD PARTIES WITHOUT THE PRIOR WRITTEN CONSENT OF SNO GEM, INC.

SNO GEM, INC. DOES NOT WARRANT THE INSTALLATION IF ITS PRODUCTS. PRODUCT PERFORMANCE IS DEPENDENT ON THE INSTALLERS STRICT ADHERENCE TO THESE INSTALLATION INSTRUCTIONS.

SNO GEM, INC. IS NOT A LICENSED ARCHITECT OR ENGINEER, THEREFORE WE STRONGLY RECOMMEND THAT AN ARCHITECT AND/OR STRUCTURAL ENGINEER PROPERLY LICENSED IN THE CITY AND STATE WHERE THE PROJECT IS LOCATED, REVIEW THE CONTEMPLATED LAYOUT TO ENSURE THAT THE BUILDING STRUCTURE CAN WITHSTAND THE PROJECTED SNOW LOAD. SNO GEM, INC. ASSUMES NO LIABILITY THEREFORE.

DRAWN BY: RJH

DATE: 10/7/15

SCALE: N.T.S.

**5**