

# **SNO** **GEM**<sup>®</sup>

***Raising the Bar in Snow Retention***

2020



**SNO GEM**  
**PRODUCT CATALOG**  
2020

**SNOGEM.COM**

**888-SNO-GEMS**

**INFO@SNOGEM.COM**



It takes the unique insight of a family rich in both sheet metal and roofing industry experience to design and develop the "Ultimate Snow Guard." Founded in 1994, Sno Gem, Inc. has leveraged over 50 years of experience in architectural sheet metal and roofing to develop highly effective and aesthetically pleasing snow guards, from the Original Polycarbonate, to the innovative Sno Barricade® Clamp-On Snow Guard Systems.

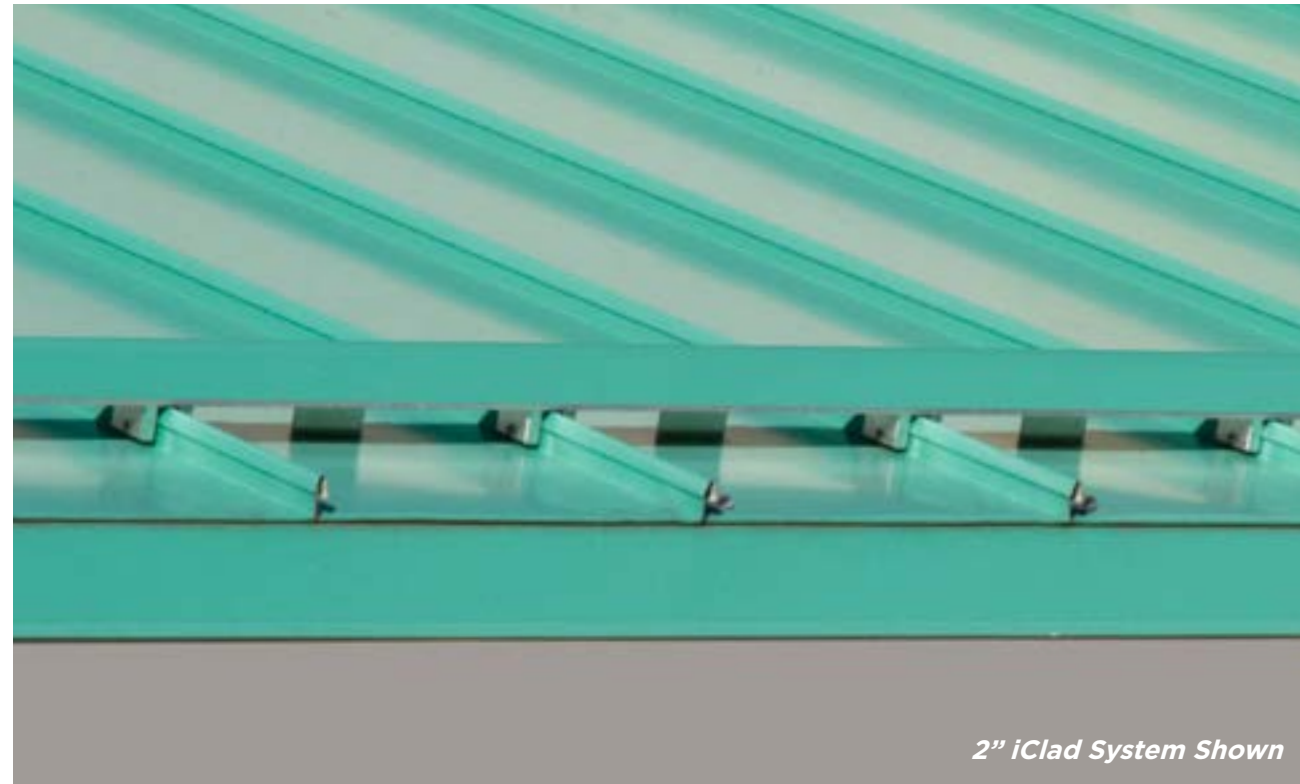
In a challenging economic climate, it is more important than ever to put your trust in a financially sound partner with a demonstrated history of success. Sno Gem, Inc. has positioned itself for continued growth and the ability to invest significant resources in product research and design. Every roofing project poses special challenges which require cutting edge technology and a company with an attention to detail second to none. Our products can be manufactured in a variety of materials and to precise color requirements.

Sno Gem, Inc. maintains a dedicated sales staff that is continually educated on the latest advancements in roofing system technology to ensure the right snow guard application for your project. Every order is shipped with detailed installation instructions for an easy, hassle free installation that will ensure maximum effectiveness.

Contact Sno Gem, Inc. for the latest in snow guard product technology for your project because *Snow Should Only Fall Once™*.

BONE WHITE	BRANDYWINE	CHAMPAGNE METALLIC	CHARCOAL GRAY
COLONIAL RED	DARK BRONZE	DARK IVY	EXTRA DARK BRONZE
HARTFORD GREEN	MANSARD BROWN	MATTE BLACK	MEDIUM BRONZE
REGAL BLUE	SANDSTONE	SHERWOOD GREEN	SIERRA TAN
SILVER METALLIC	SKY BLUE	SLATE GRAY	STONE WHITE
TPO SEASHELL WHITE	HEMLOCK GREEN	PATINA GREEN	REGAL BROWN
TEAL	TERRA COTTA	CLASSIC COPPER	REGAL RED

STANDARD COLORS SHOWN. PREMIUM COLORS AVAILABLE AT ADDITIONAL COST.



2" iClad System Shown

### Overview




Sno Gem's® iClad™ is an innovative clamp to the seam bar/fence snow retention system that utilizes the Sno Cube™ Clamp. The Sno Cube™ can attach to virtually any standing seam profile and provides unparalleled strength using Sno Gem's® WaveLock™ Technology with 3 points of attachment. Offering easy installation, Sno Cube's™ Silver Bullet™ set screws include a rounded bullet tip to maximize strength that won't damage the paint finish or pierce the seam. Additionally, the iClad™ system comes in standard mill finish aluminum material, making it an item you can easily keep in stock when the need arises. Once installed, it only takes seconds to attach the pre-finished metal trim from the material that was used to install the panels (not included) onto the face of the iBeam™ to have an aesthetically pleasing and effective snow retention system that matches your standing seam roof system.

- ◆ Aircraft-Grade Aluminum Extrusion
- ◆ Utilizes Patent-Pending WaveLock™ Technology
- ◆ Attach to Virtually Any Standing Seam Profile
- ◆ Unparalleled Strength & Easy-to-Install
- ◆ No Painting Required
- ◆ Non-Penetrating Seam Attachment
- ◆ iPlate™ for Sliding Snow & Ice
- ◆ Made in the USA



All of our clamps come with our Patented WaveLock™ Technology.

## Available Systems

<p><b>iCLAD™ 2"</b></p>  <p>2.0"</p> <p>Side Profile</p>	<p><b>iCLAD™ 3"</b></p>  <p>3.0"</p> <p>Side Profile</p>	<p><b>iCLAD-S™ 2"</b></p>  <p>2.0"</p> <p>Side Profile</p>
---	---	---

## Available Clamps



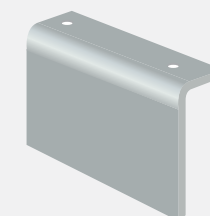
Ask about our HD clamps designed for the most severe snow loads.

### Full Line of Sno Cubes™ for Various Standing Seam Profiles



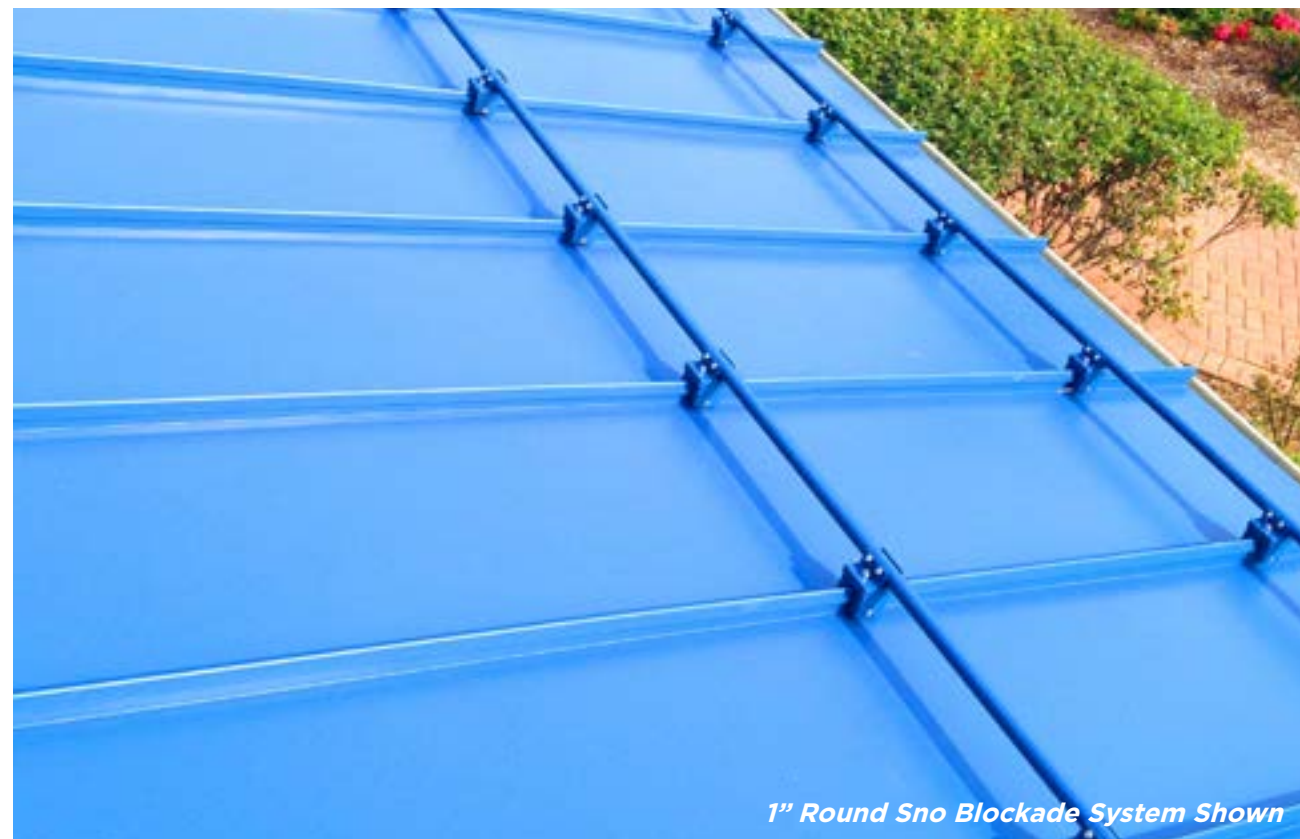
## Additional Options/Accessories

### iPlate™



The iPlate™ is a recommended accessory available in mill finish material or color to match. It is installed on the upslope side of the bar with tek screws that are not visible from the ground. Once properly installed, the iPlate™ is designed to reduce melting snow and ice from sliding underneath the iBeam™.





1" Round Sno Blockade System Shown

### Overview

The Sno Blockade™ system is available in standard mill finish aluminum or painted in either a powder coating or Kynar finish. It is easy to install with few required components, regardless of whether installed on a new or existing standing seam metal roof system. The Sno Blockade™ system's unparalleled strength is derived from the unique design of the patent-pending WaveLock™ Technology with 5 points of attachment and is designed to maximize strength, but not to pierce or penetrate the roof panel.

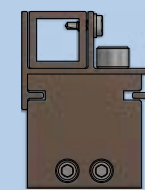
- ◆ Aircraft-Grade Aluminum Extrusion
- ◆ Utilizes Patent-Pending WaveLock™ Technology
- ◆ Attach to Virtually Any Standing Seam Profile
- ◆ Unparalleled Strength & Easy-to-Install
- ◆ Non-Penetrating Seam Attachment
- ◆ Standard & Premium Finish Options Available
- ◆ Barricade Plate™ for Sliding Snow & Ice
- ◆ Made in the USA



All of our clamps come with our Patented WaveLock™ Technology.

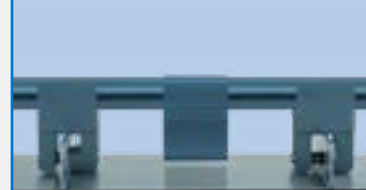
## Available Systems

1" SQUARE SNO BLOCKADE™



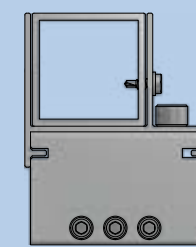
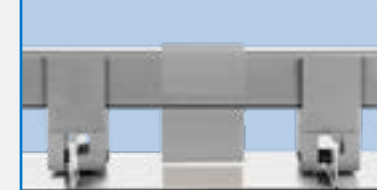
Side Profile

1" ROUND SNO BLOCKADE™



Side Profile

2" SQUARE SNO BLOCKADE™



Side Profile

## Available Clamps



Ask about our HD clamps designed for the most severe snow loads.

### Full Line of Sno Blockade Cubes™ for Various Standing Seam Profiles



1" Sno Blockade™



1" Sno Blockade™ Mini



1" Sno Blockade™ KLOC



1" Sno Blockade™ KLOC Mini



1" Sno Blockade™ Wide

## Additional Options/Accessories

### Blockade Plate™



The Blockade Plate™ is a recommended accessory available in mill finish material or color to match. It is installed on the upslope side of the bar with tek screws that are not visible from the ground. Once properly installed, the Blockade Plate™ is designed to reduce melting snow and ice from sliding underneath the bar.





1" Square Single Retention Bar System Shown

**Overview** No matter what type of roof you need to protect, we have a deck mount rail-type snow retention system available. Our flat base standing seam system (MEC) will work with most standard R-Type panels. Our curved corrugated system has a rounded base to fit between the ridges on corrugated metal roofs. Each deck mount system offers an incredibly secure attachment by mechanically fastening to the roof. Each system is available in a single, double, or triple bar support with the options of 1", 2", round, or square tubing. Standard or custom roof panel manufacturers' colors available in powder coating or Kynar finish. Manufactured in stainless steel or brass.



## Available Systems

**FLAT BASE**

1" Square Single Retention Bar Bracket Shown

R-Panel

1" Square Single Retention Bar System Shown

**CURVED CORRUGATED**

2" Square Double Retention Bar Bracket Shown

Corrugated Panel

1" Square Double Retention Bar System Shown

## Available Brackets

<p><b>1" Square Retention Bar</b></p> <p>Triple Bar Double Bar Single Bar</p>	<p><b>2" Square Retention Bar</b></p> <p>Triple Bar Double Bar Single Bar</p>	<p><b>1" Round Retention Bar</b></p> <p>Triple Bar Double Bar Single Bar</p>	<p><b>2" Round Retention Bar</b></p> <p>Triple Bar Double Bar Single Bar</p>
---	---	--	--

## Additional Options/Accessories

**Barricade Plate™**

The Barricade Plate™ is a recommended accessory available in mill finish material or color to match. It is installed on the upslope side of the bar with a tek screw that is not visible from the ground. Once properly installed, the Barricade Plate™ is designed to reduce melting snow and ice from sliding underneath the bar.





# Deck Mount - EPDM Membrane

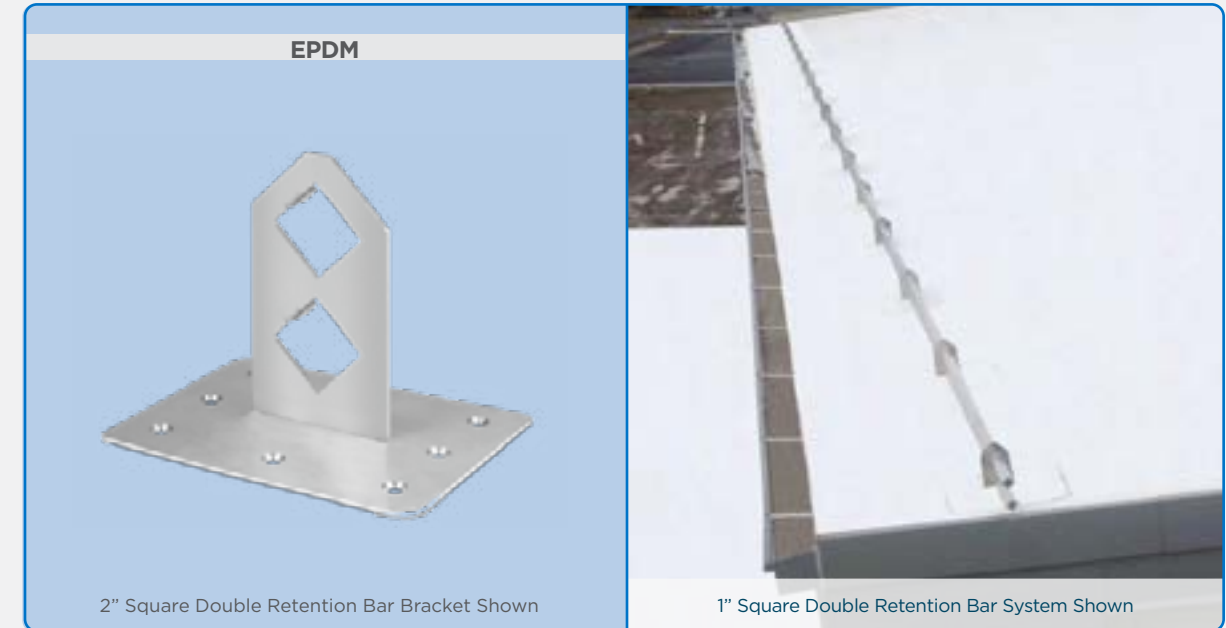


1" Square Triple Retention Bar System Shown

**Overview** No matter what type of roof you need to protect, we have a deck mount rail-type snow retention system available. Our EPDM Membrane system will work with virtually any roof coating, EPDM, built-up or modified roof system. Each deck mount system offers an incredibly secure attachment by mechanically fastening to the roof. Each system is available in a single, double, or triple bar support with the options of 1", 2", round, or square tubing. Standard or custom roof panel manufacturers' colors available in powder coating or Kynar finish. Manufactured in stainless steel or brass.



## Available Systems



2" Square Double Retention Bar Bracket Shown

1" Square Double Retention Bar System Shown

## Available Brackets



## Additional Options/Accessories



### Barricade Plate™

The Barricade Plate™ is a recommended accessory available in mill finish material or color to match. It is installed on the upslope side of the bar with a tek screw that is not visible from the ground. Once properly installed, the Barricade Plate™ is designed to reduce melting snow and ice from sliding underneath the bar.





1" Square Double Retention Bar System Shown

## Available Systems

**TPO**



1" Square Double Retention Bar Bracket Shown



1" Round Double Retention Bar System Shown

**PVC**



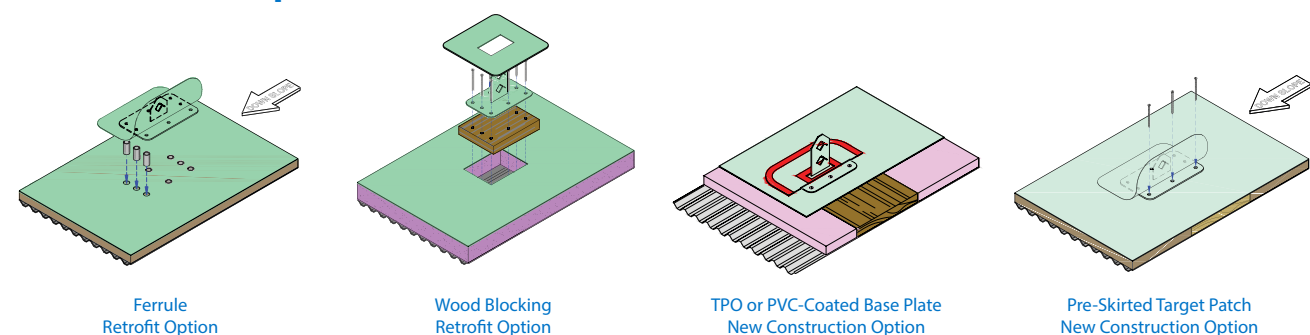
1" Square Double Retention Bar Bracket Shown




1" Square Double Retention Bar System Shown

**Overview** Sno Gem's® TPO & PVC-Coated Diamond Series System™ is the roofing industry's first-ever factory applied membrane-coated continuous bar snow retention system for new construction or retrofit applications. The stainless steel base plates/brackets are pre-dipped and available in standard TPO & PVC colors to match the roofing membrane. For ease of installation, Sno Gem's® patent-pending Membrane-Coated Diamond Series System™ is now available with a factory applied pre-skirted target patch that is heat welded directly to the TPO or PVC-coated base plate. To install, simply heat weld Sno Gem's® target patch directly to the membrane of the roof. This process reduces labor cost and ensures the system stays water-tight, which is imperative to keep from voiding your roof's warranty\*.

## Installation Options




## Available Brackets

<p><b>1" Square Retention Bar</b></p>  <p>Triple Bar Double Bar Single Bar</p>	<p><b>2" Square Retention Bar</b></p>  <p>Triple Bar Double Bar Single Bar</p>	<p><b>1" Round Retention Bar</b></p>  <p>Triple Bar Double Bar Single Bar</p>	<p><b>2" Round Retention Bar</b></p>  <p>Triple Bar Double Bar Single Bar</p>
---	---	--	--

## Additional Options/Accessories

**Barricade Plate™**



The Barricade Plate™ is a recommended accessory available in mill finish material or color to match. It is installed on the upslope side of the bar with a tek screw that is not visible from the ground. Once properly installed, the Barricade Plate™ is designed to reduce melting snow and ice from sliding underneath the bar.

Standard and Premium Finish Options Available





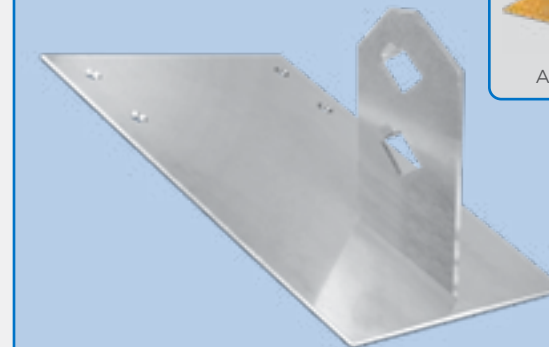
*1" Square Triple Retention Bar System w/ Angled Bracket Shown*

**Overview** No matter what type of roof you need to protect, we have a deck mount rail-type snow retention system available. Our STS system will work with virtually any slate, tile or shingle roof system which are common in residential homes. Each deck mount system offers an incredibly secure attachment by mechanically fastening to the roof. Each system is available in a single, double, or triple bar support with the options of 1", 2", round, or square tubing. Standard or custom roof panel manufacturers' colors available in powder coating or Kynar finish. Manufactured in stainless steel or brass.



## Available Systems

SLATE, TILE, & SHINGLE



1" Square Double Retention Bar Angled Bracket Shown



Available in Brass



1" Square Triple Retention Bar System w/ Angled Bracket Shown

## Available Brackets

1" Square Retention Bar



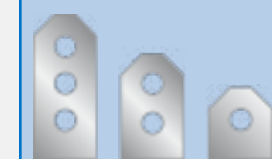
Triple Bar Double Bar Single Bar

2" Square Retention Bar



Triple Bar Double Bar Single Bar

1" Round Retention Bar



Triple Bar Double Bar Single Bar

2" Round Retention Bar



Triple Bar Double Bar Single Bar

## Additional Options/Accessories



### Barricade Plate™

The Barricade Plate™ is a recommended accessory available in mill finish material or color to match. It is installed on the upslope side of the bar with a tek screw that is not visible from the ground. Once properly installed, the Barricade Plate™ is designed to reduce melting snow and ice from sliding underneath the bar.





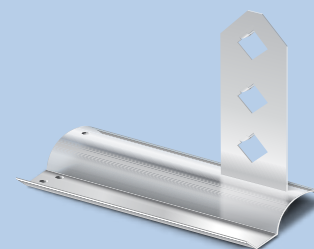
*1" Square Triple Retention Bar With Angled Bracket Shown*

### Overview

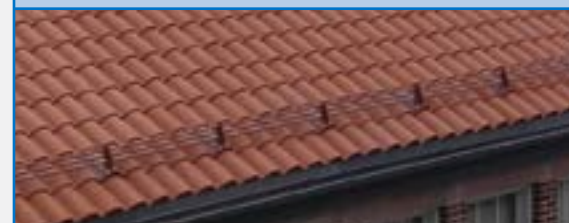
No matter what type of roof you need to protect, we have a deck mount rail-type snow retention system available. Our Spanish and Clay Tile system will work with virtually any Spanish or clay tile roof system. Our Ludowici French Tile system is specially designed to work with Ludowici's French Profile Interlocking tiles. Each deck mount system offers an incredibly secure attachment by mechanically fastening to the roof. Each system is available in a single, double, or triple bar support with the options of 1", 2", round, or square tubing. Standard or custom roof panel manufacturers' colors available in powder coating or Kynar finish. Manufactured in stainless steel or brass.

## Available Systems

### SPANISH AND CLAY TILE



1" Square Triple Retention Bar Bracket Shown



1" Square Triple Retention Bar System Shown

### LUDOWICI FRENCH TILE



1" Square Triple Retention Bar w/ Angled Bracket Shown



1" Square Triple Retention Bar System w/ Angled Bracket Shown

## Available Brackets

### 1" Square Retention Bar



Triple Bar Double Bar Single Bar

### 2" Square Retention Bar



Triple Bar Double Bar Single Bar

### 1" Round Retention Bar



Triple Bar Double Bar Single Bar

### 2" Round Retention Bar



Triple Bar Double Bar Single Bar

## Additional Options/Accessories



### Barricade Plate™

The Barricade Plate™ is a recommended accessory available in mill finish material or color to match. It is installed on the upslope side of the bar with a tek screw that is not visible from the ground. Once properly installed, the Barricade Plate™ is designed to reduce melting snow and ice from sliding underneath the bar.





1" Square Double Retention Bar System Shown

### Available Systems

<b>1" BAR GEM CLAMP</b>		<b>2" BAR GEM CLAMP</b>	
1" Square Double Retention Bar System Shown		2" Square Double Retention Bar System Shown	
<b>1" Square Retention Bar</b>	<b>1" Round Retention Bar</b>	<b>2" Square Retention Bar</b>	<b>2" Round Retention Bar</b>
 Triple Bar	 Double Bar	 Triple Bar	 Triple Bar
 Double Bar	 Single Bar	 Double Bar	 Double Bar
 Single Bar	 Single Bar	 Single Bar	 Single Bar

### Overview

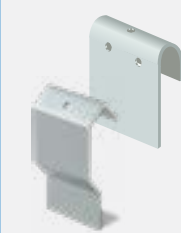
Sno Gem's® Gem Clamp™ is a clamp-to-seam attachment that utilizes the MEC Bracket and allows multiple bar heights and variations to accommodate virtually any snow retention need. The Gem Clamp™ with MEC Bracket is available in multiple sizes and configurations that can attach to most standing seam profiles and provides unparalleled strength using patent-pending WaveLock™ Technology with 5 points of attachment. Offering ease of installation, Sno Gem's® Silver Bullet™ set screws include a rounded bullet tip to maximize strength and won't damage the paint finish or pierce the seam. It can be powder coated or in a Kynar finish that is aesthetically pleasing and matches the standing seam roof system. Additionally, the Gem Clamp™ with MEC Bracket system comes in standard mill finish aluminum material, making it an item you can easily keep in stock when the need arises.

### Available Clamps

#### Full Line of Gem Clamps™ for Various Standing Seam Profiles



### Additional Options/Accessories



#### Barricade Plate™

The Barricade Plate™ is a recommended accessory available in mill finish material or color to match. It is installed on the upslope side of the bar with a tek screw that is not visible from the ground. Once properly installed, the Barricade Plate™ is designed to reduce melting snow and ice from sliding underneath the bar.



- ◆ Aircraft-Grade Aluminum Extrusion
- ◆ Utilizes Patent-Pending WaveLock™ Technology
- ◆ Attach to Virtually Any Standing Seam Profile
- ◆ Unparalleled Strength & Easy-to-Install
- ◆ Non-Penetrating Seam Attachment
- ◆ Standard & Premium Finish Options Available
- ◆ Barricade Plate™ for Sliding Snow & Ice
- ◆ Made in the USA



All of our clamps come with our Patented WaveLock™ Technology.



Sno Barricade 1" Standard Model

**Overview** The Sno Barricade® Clamp-To-Seam Snow Retention System is recognized worldwide for its strength, appearance, design and function. Every inch of the Sno Barricade® system is fully painted in either a powder coating or Kynar finish, and unlike competing products, the Sno Barricade® system's color seamlessly becomes one with your roofing system.

The Sno Barricade® system is simple and easy to install with few required components, regardless of whether installed on a new or existing standing seam metal roof system. The system's unparalleled strength is derived from the unique design of the patent-pending WaveLock™ Technology, which creates an efficient, snow-stopping profile. The Sno Barricade® system utilizes 3 points of attachment and is designed to maximize strength, but not to pierce or penetrate the roof panel.



### Available Systems

<p>SNO BARRICADE® 1"</p>  <p>Side Profile</p>	<p>SNO BARRICADE® 1" WIDE</p>  <p>Side Profile</p>	<p>SNO BARRICADE® 2"</p>  <p>Side Profile</p>
--	---	--

### Custom Configurations

Configuration and size of your Sno Barricade® Clamp-To-Seam Snow Retention System is based on the standing seam profile, historic weather patterns, slope of roof, length and width of panel, and other considerations. Sno Gem® representatives will work with you to design the most efficient system to meet your specific requirements.

### Additional Options/Accessories



Use our Barricade Plate™ to Reduce Melting Snow & Ice From Sliding Underneath the Bar.





2" Individual Seam Mount System Shown

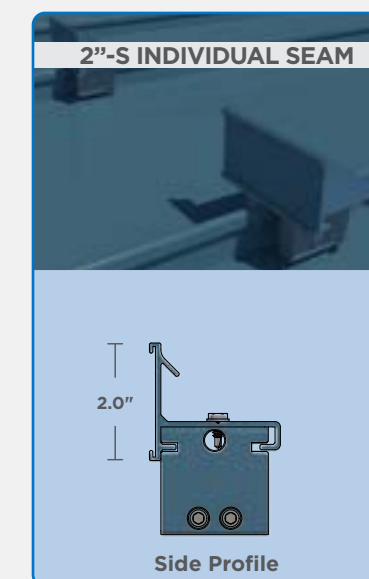
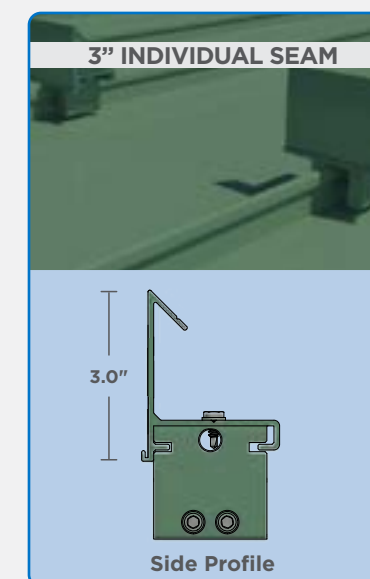
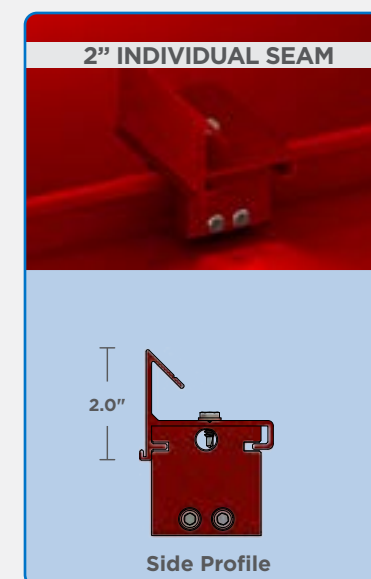
**Overview** Sno Gem's® Individual Seam Mount Snow Guard is a hybrid clamp-to-seam attachment that utilizes the 1" Sno Blockade™ Cube with a 4" piece of iBeam™ and pre-finished metal trim. The Individual Seam Mount Snow Guard is available in multiple sizes and configurations that can attach to most standing seam profiles and provides unparalleled strength using patent-pending WaveLock™ Technology with 3 points of attachment. Offering ease of installation, Sno Gem's® Silver Bullet™ set screws include a rounded bullet tip to maximize strength and won't damage the paint finish or pierce the seam. Additionally, the Individual Seam Mount Snow Guard system comes in standard mill finish aluminum material, making it an item you can easily keep in stock when the need arises. Once installed, it only takes seconds to attach the pre-finished metal trim from the material that was used to install the panels (not included) onto the face of the iBeam™ to have an aesthetically pleasing and effective snow retention system that matches your standing seam roof system.

- ◆ Aircraft-Grade Aluminum Extrusion
- ◆ Utilizes Patent-Pending WaveLock™ Technology
- ◆ Attach to Virtually Any Standing Seam Metal Roof
- ◆ Non-Penetrating Standing Seam Attachment
- ◆ Available in Multiple Sizes & Configurations
- ◆ Unparalleled Strength & Easy-to-Install
- ◆ No Painting Required
- ◆ Made in the USA



All of our clamps come with our Patented WaveLock™ Technology.

## Available Systems



## Available Clamps



Ask about our HD clamps designed for the most severe snow loads.

### Full Line of Sno Cubes™ for Various Standing Seam Profiles



## Additional Options





## Overview

Developed by architectural sheet metal professionals, the Original Polycarbonate™ offers 25 square inches of bonding surface - the larger the base, the greater the holding power. The Original Polycarbonate has the largest base available in the industry! Manufactured from clear UV-stabilized polycarbonate material, or in a color that is injected throughout the product and matched to any standard roof panel. Diagonal installation creates a 7" barrier for more coverage per unit on wider panels. **Apply using 3M VHB Tape, tube adhesive, or a mechanical fastening application.**

**Manufactured from UV-stabilized polycarbonate, the unique design of these crystal-like guards suspends the field of snow until the snow and ice gradually melt under the sun's rays.**

**CUT:** Sno Gem® snow guard's prismatic design was developed by architectural sheet metal professionals with over 100 combined years of on-the-roof experience.

**CLARITY:** Sno Gem® offers a clear prismatic snow guard which retains its crisp, clean and architectural appeal. There's no metal to rust or stain. Sno Gem® snow guards are unaffected by climate extremes.

**COLOR:** Sno Gem® snow guards can be matched to all industry standard metal roof colors. Sno Gem® also offers an unlimited amount of custom colors to closely match the metal roof panel. The color is injected throughout the product.

**CARAT:** The true measure of a gem's worth. At the heart of each Sno Gem® is an engineered, multi-directional, multi-purpose drain opening for melting snow and ice to flow freely, plus heat cables can be easily routed through the opening.

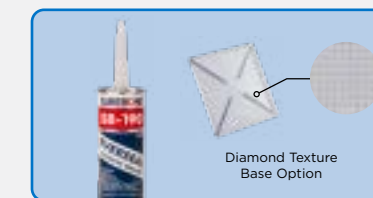
## Available Systems



## Installation Methods



3M VHB Tape Option



Tube Adhesive



Mechanical Fastening



2" Wide Junior Polycarbonate™ System Shown

**Overview** The 2" Junior Polycarbonate™ offers a 12.5 square inch bonding surface and 2" base to fit specific panel systems with intermediate ribs and corrugated metal panels. (The 1.5" Junior Polycarbonate™ offers a 9.38 square inch bonding surface and 1.5" base.) Manufactured from clear UV-stabilized polycarbonate material, or in a color that is injected throughout the product and matched to any standard roof panel. **Apply using 3M VHB Tape, tube adhesive, or a mechanical fastening application.**

**Manufactured from UV-stabilized polycarbonate, the unique design of these crystal-like guards suspends the field of snow until the snow and ice gradually melt under the sun's rays.**

**CUT:** Sno Gem® snow guard's prismatic design was developed by architectural sheet metal professionals with over 100 combined years of on-the-roof experience.

**CLARITY:** Sno Gem® offers a clear prismatic snow guard which retains its crisp, clean and architectural appeal. There's no metal to rust or stain. Sno Gem® snow guards are unaffected by climate extremes.

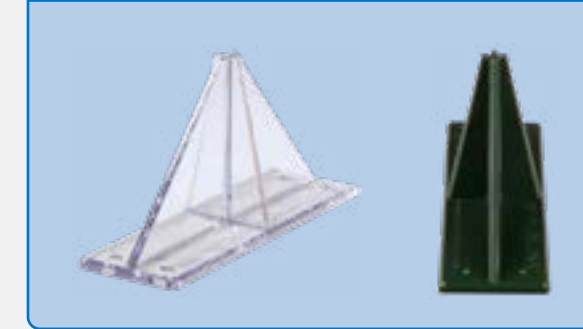
**COLOR:** Sno Gem® snow guards can be matched to all industry standard metal roof colors. Sno Gem® also offers an unlimited amount of custom colors to closely match the metal roof panel. The color is injected throughout the product.

**CARAT:** The true measure of a gem's worth. At the heart of each Sno Gem® is an engineered, multi-directional, multi-purpose drain opening for melting snow and ice to flow freely, plus heat cables can be easily routed through the opening.

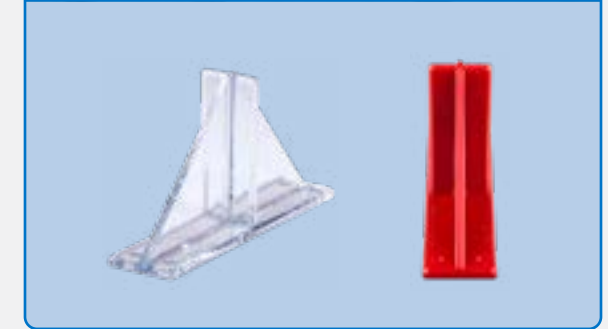
### Available Systems



2" WIDE JUNIOR POLYCARBONATE™



1.5" WIDE JUNIOR POLYCARBONATE™



### Installation Methods



3M VHB Tape Option



Tube Adhesive



Mechanical Fastening



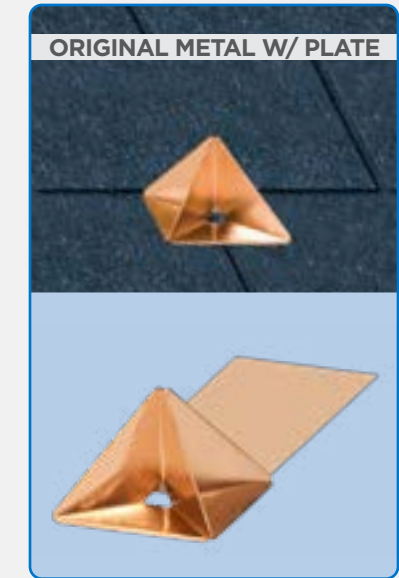
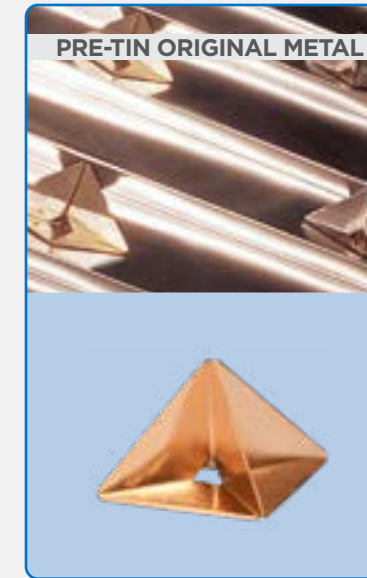
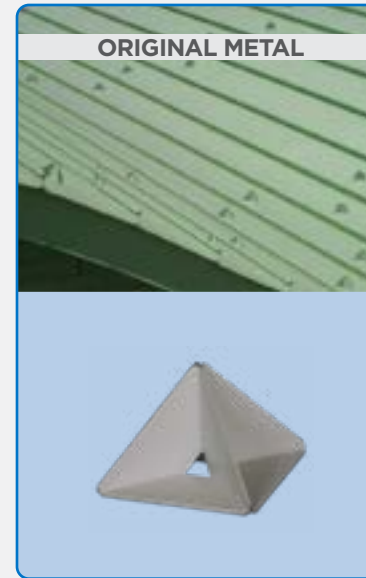
Original Metal Shown

**Overview** **Original:** Formed after the Sno Gem® Original Polycarbonate, this prismatic design is available in any standard or custom pre-finished color and can be manufactured in any metal form, including: pre-finished aluminum or steel in Kynar 500 finish, stainless steel and Galvalume. Diagonal installation creates a 5" barrier for more coverage per unit on wider panels. **The Original Metal™ snow guard is installed using tube adhesive or a mechanical fastening application.**

**Pre-Tin:** Formed after the Sno Gem® Original Polycarbonate, this prismatic design is available in the following specialty metals: copper, lead coated copper, Freedom Gray and zinc. Diagonal installation creates a 5" barrier for more coverage per unit on wider panels. **The Pre-Tin Original Metal™ is installed using a patented pre-tinned backing for soldering to the specialty metal roof systems listed above - simply clean and heat the roof system per the manufacturer's installation instructions.**

**With Plate:** Formed after the Sno Gem® Original Polycarbonate, this prismatic design is available in any standard or custom pre-finished color and can be manufactured in any metal form, including: copper, lead coated copper, pre-finished Kynar 500 finish, stainless steel, galvalume, aluminum, zinc, Freedom Gray and Terne Metals. **The Original Metal™ is installed using custom length plate attachments for installation on slate, tile and asphalt shingle roof systems.**

### Available Systems



### Installation Methods



Surebond SB-190 Adhesive



Mechanical Fastening

### Additional Options/Accessories



Isopropyl Alcohol





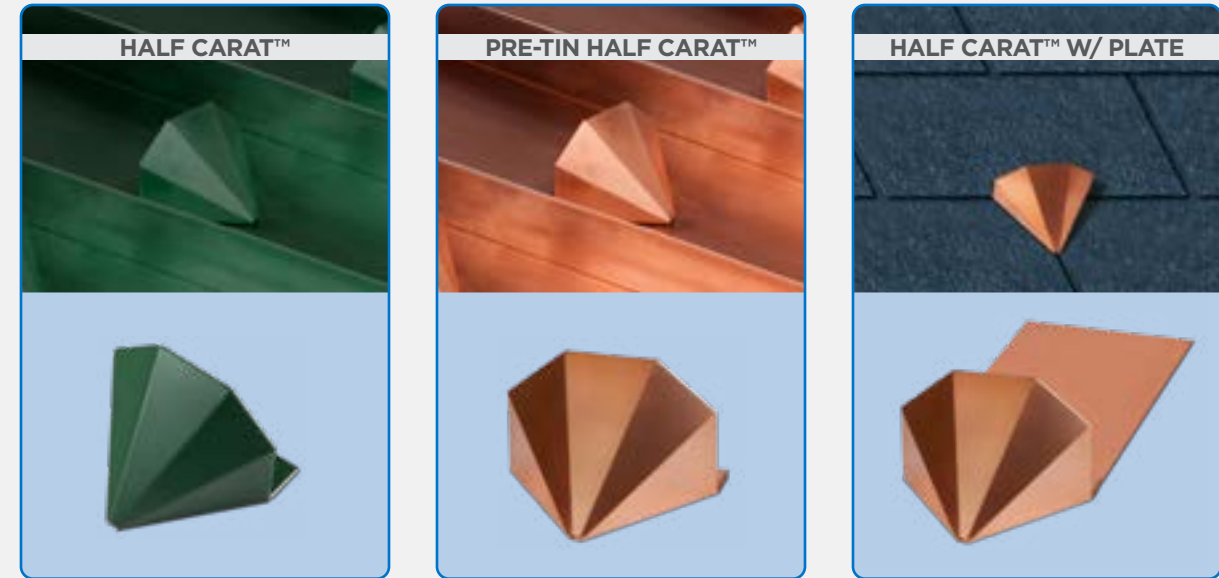
Half Carat Shown

**Overview** **Original:** This traditional design is available in any standard or custom pre-finished color and can be manufactured in any metal form, including pre-finished aluminum or steel in Kynar 500 finish, stainless steel and galvalume. **The Half Carat™ metal snow guard is installed using tube adhesive or a mechanical fastening application.**

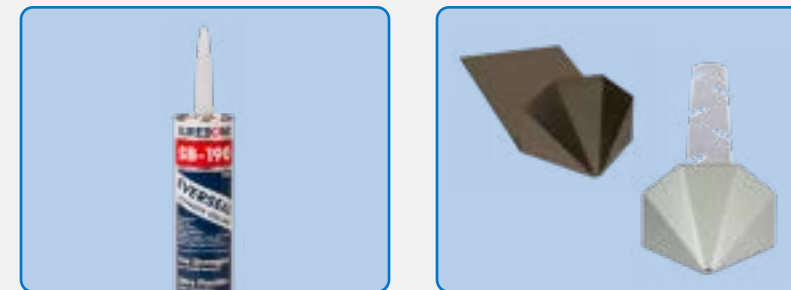
**Pre-Tin:** This traditional design is available in the following specialty metals: copper, lead coated copper, Freedom Gray and zinc. **The Pre-Tin Half Carat™ metal snow guard is installed using a patented pre-tinned backing for soldering to the specialty metal roof systems listed above - simply clean and heat the roof system per the manufacturer's installation instructions.**

**With Plate:** This traditional design is available in any standard or custom pre-finished color and can be manufactured in any metal form, including copper, lead coated copper, pre-finished Kynar 500 Metal, stainless steel, galvalume, aluminum, zinc, Freedom Gray and Terne Metals. **The Half Carat™ metal snow guard is installed using custom length plate attachments for installation on slate, tile and asphalt shingle roof systems.**

### Available Systems



### Installation Methods



Surebond SB-190 Adhesive

Mechanical Fastening

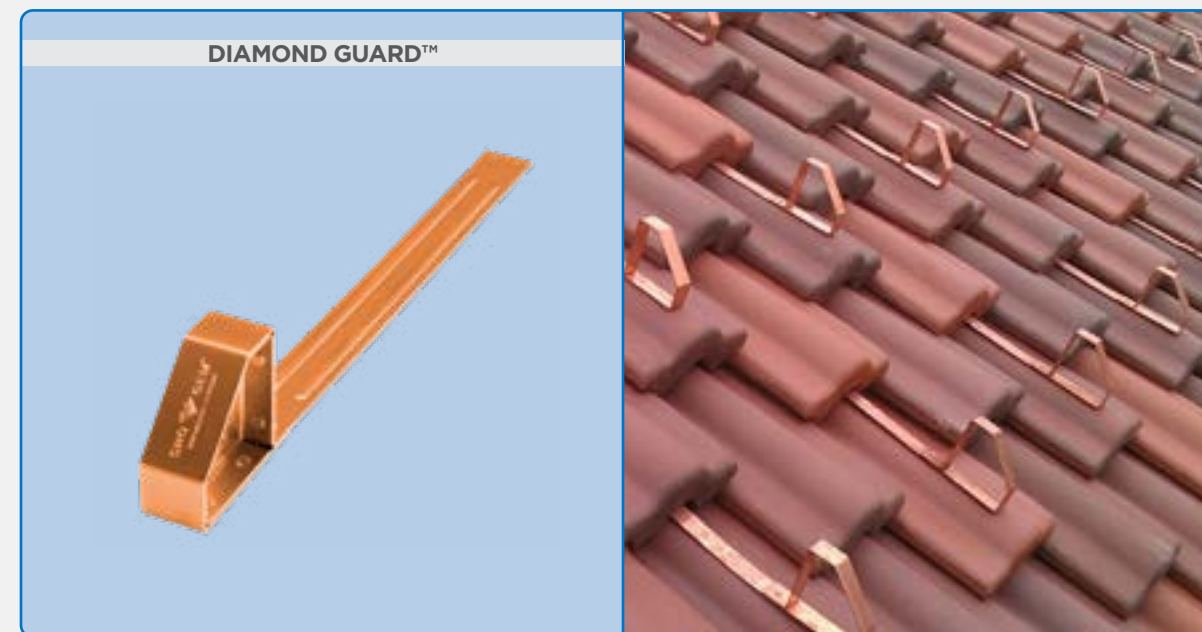
### Additional Options/Accessories



Isopropyl Alcohol



### Available Systems

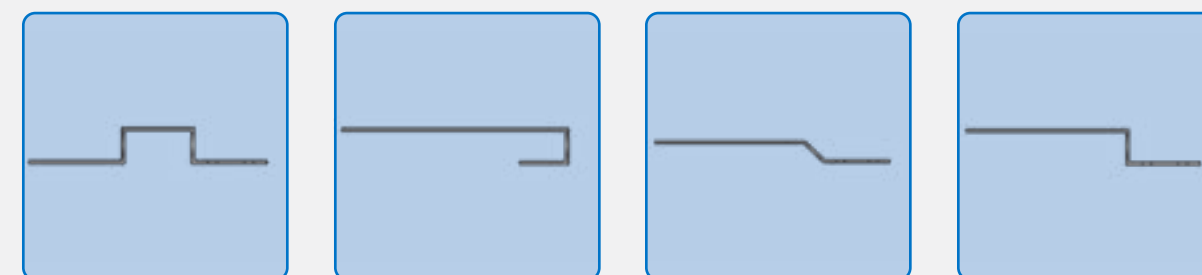


Pad Systems

**Overview** *Diamonds Are A Roof's Best Friend™* - The Diamond Guard™ can be installed on virtually any slate, tile or shingle roof system. The recommended Diamond Insert™ adds unparalleled strength and unmatched appearance.

Custom fabricated tab length and end configurations to fit any slate, tile or shingle manufacturer. Also available with slotted tabs for retro-fit installations.

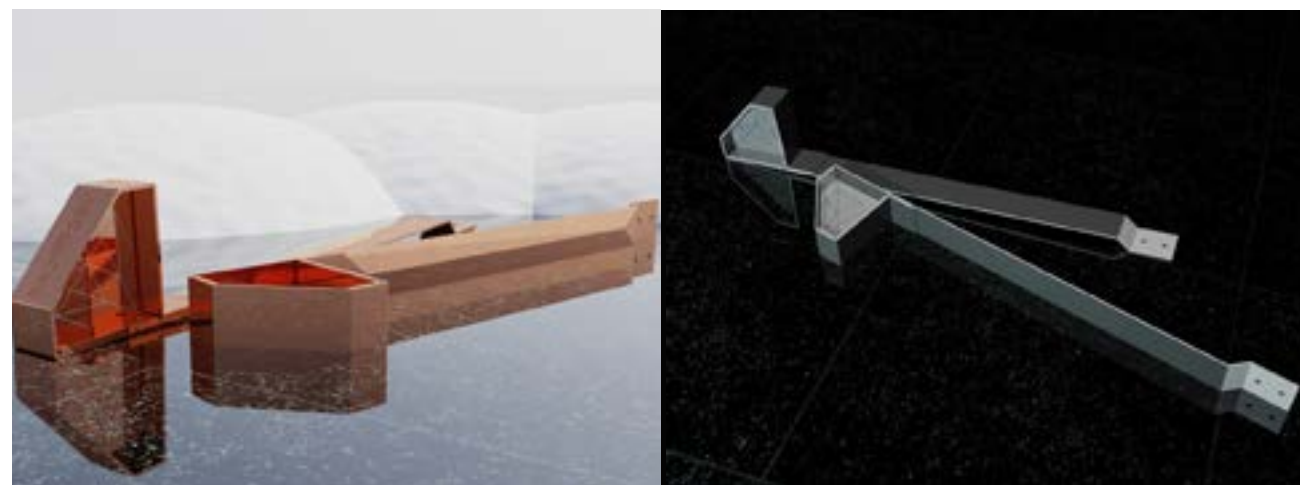
### Available Ends



### Additional Options/Accessories



Slotted Tab Option for Retrofit Applications





**Overview**

Sno Gem's® Uni-Cube™ is truly a universal clamp-to-seam attachment solution for virtually any miscellaneous roof system improvement, such as roof penetrations, HVAC/rooftop equipment, pipes/conduits, dishes/antennas and signage. The Uni-Cube™ is available in multiple sizes and configurations that can attach to most standing seam profiles and provides unparalleled strength using patent-pending WaveLock™ Technology with 3 points of attachment. Offering ease of installation, Sno Gem's® Silver Bullet™ set screws include a rounded bullet tip to maximize strength and won't damage the paint finish or pierce the seam. Simply mount any roof system improvement directly to the Uni-Cube™ with the set screws and installation is complete. Additionally, the Uni-Cube™ is available in standard mill finish aluminum material, making it an item you can easily keep in stock when the need arises. The Uni-Cube™ can be powder coated or in a Kynar finish that is aesthetically pleasing and matches the standing seam roof system. Sno Gem® is pleased to offer manufacturers and distributors private-labeling for all clamp-to-seam products based on volume.

- ◆ Aircraft-Grade Aluminum Extrusion
- ◆ Utilizes Patent-Pending WaveLock™ Technology
- ◆ Attach Virtually Anything to Standing Seam Metal Roofs
- ◆ Non-Penetrating Standing Seam Attachment
- ◆ Available in Multiple Sizes & Configurations
- ◆ Unparalleled Strength & Easy-to-Install
- ◆ No Painting or Mounting Kits Required
- ◆ Made in the USA



All of our clamps come with our Patented WaveLock™ Technology.

**Available Systems**



**Available Clamps**



Ask about our HD clamps designed for the most severe snow loads.

**Full Line of Uni-Cubes™ for Various Standing Seam Profiles**





©2020 Sno Gem, Inc.

[SNOGEM.COM](http://SNOGEM.COM)

888-SNO-GEMS

[INFO@SNOGEM.COM](mailto:INFO@SNOGEM.COM)



*\*Seller assumes no responsibility for the warranty.  
Check your roof manufacturer's warranty information before installation.*